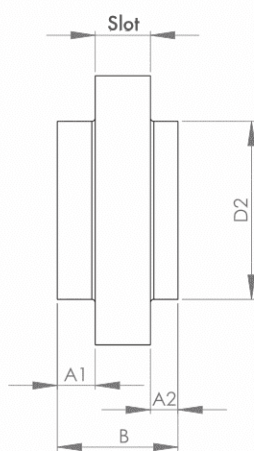
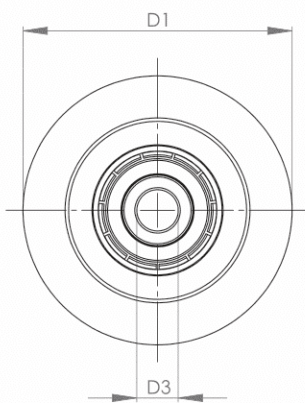


CONVEYOR ROLLERS

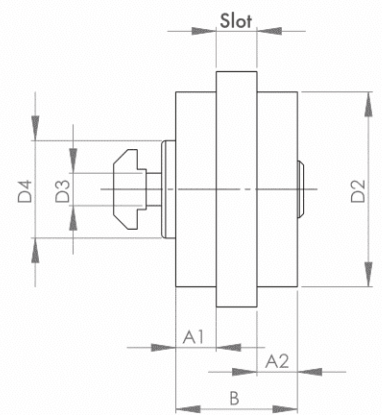
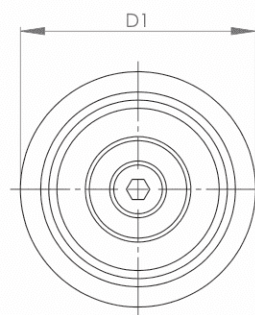
Material: PA plastic (black), glass ball reinforced

For guided sliding doors and windows or other similar linear guided elements, such as workpiece carriers

406010



406020



Description	A1 (mm)	A2 (mm)	B (mm)	D1 (mm)	D2 (mm)	D3 (mm)	D4 (mm)	Slot	Max. load capacity	Weight (g)	Art. no.:
Conveyor roller 8	13.8	3.8	17.6	Ø39	Ø25.8	Ø6	-	8	150 N	30.0	406010
Conveyor roller slot 10	10	10	30	Ø58	Ø48.4	Ø9 (M8)	21.8	10	1000 N	154.1	406020