

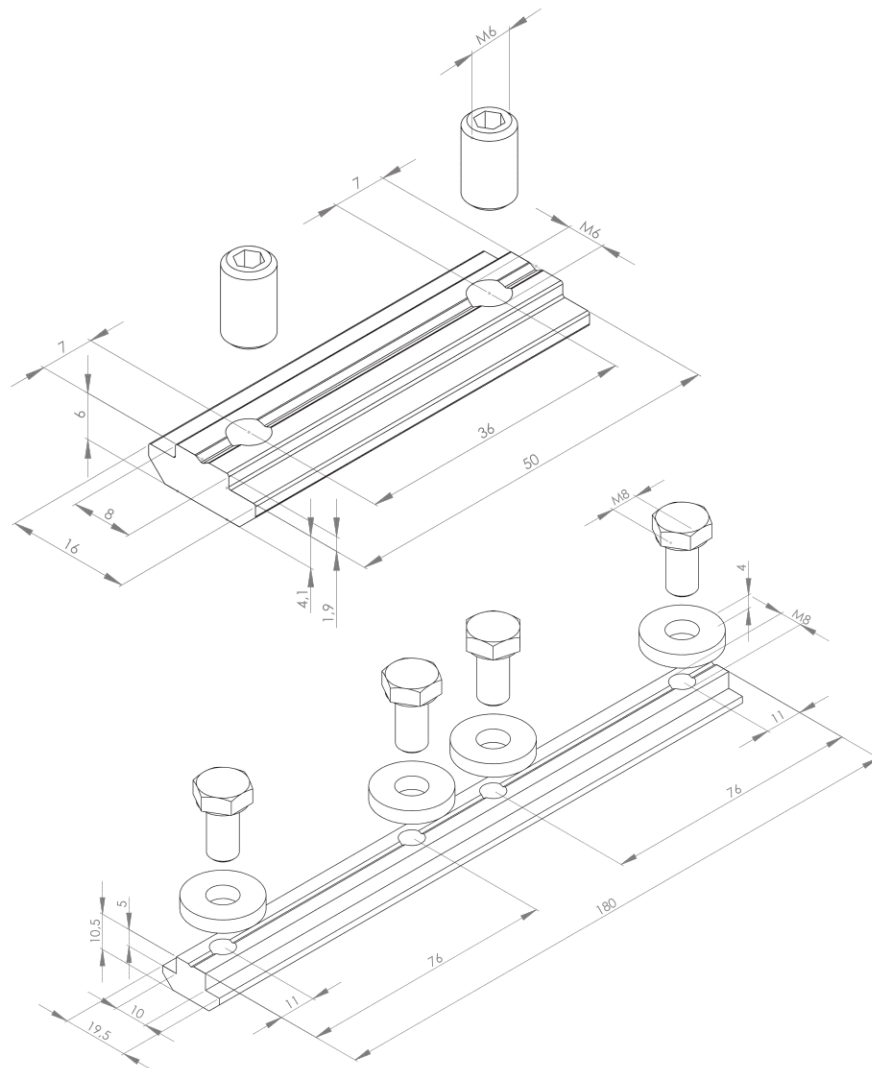
PROFILE CONNECTORS

Material: Steel, zinc-plated

The item is delivered pre-assembled.

For connecting two profiles abutting each other end to end. No profile processing is required. The profile connectors can simply be pushed into the profile slot on the end face.

344005



344011

Description	Length (mm)	Slot	Thread (M)	Version	Weight (g)	Series	Art. no.:
Profile connector slot 8 2xM6	50	8	M6	With fastening kit*	29.0	(i) (B)	344005
Profile connector slot 10	180	10	M8	With fastening kit**	254.0	(B)	344011
Fastening kit:*				Fastening kit:**			
1x profile connector slot 8, steel, zinc-plated				1x T-slot nut slot 10 L=180, St zinc-plated			
2x grub screws DIN 913-M6x10, St, zinc-plated				4x hexagon head screws DIN 933-M8x16, St zinc-plated			
				4x washers DIN 7349 Ø8.4, St zinc-plated			
				4x lock washers S8			