

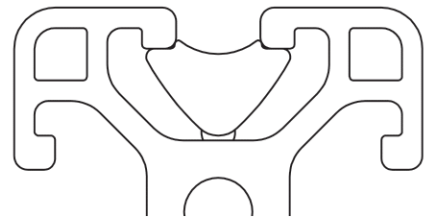
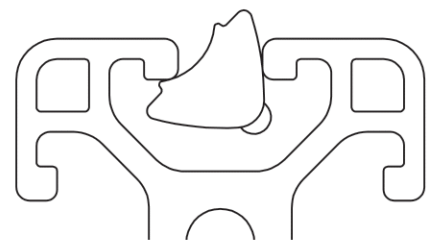
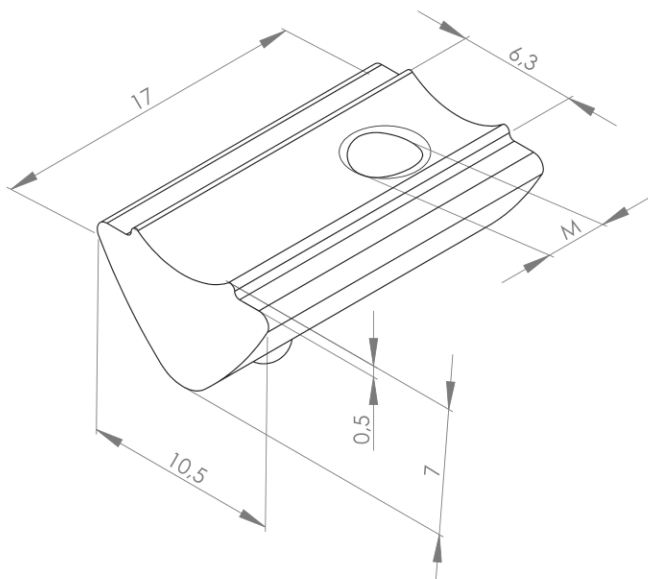
SWIVELLING T-SLOT NUT 6 WITH BALL AND BAR

Available with various thread sizes

T-slot nuts can be swivelled into the profile slot or inserted into the end of the profile slot

A spring-loaded ball fixes the T-slot nut in the desired position after it has been swivelled/inserted in place

The bar on the top of the T-slot nut centres the nut in the slot



Positioning the T-slot nut

Description	Slot	M (mm)	Material	Weight (g)	ESD	Art. no.:
Swivelling T-slot nut 6 with ball and bar	6	M3	Steel, zinc-plated	5.4	-	354005
	6	M4	Steel, zinc-plated	5.4	-	354015
	6	M5	Steel, zinc-plated	5.0	-	354025
	6	M6	Steel, zinc-plated	4.7	-	354035