

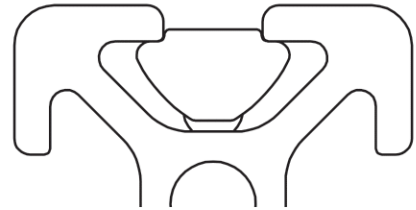
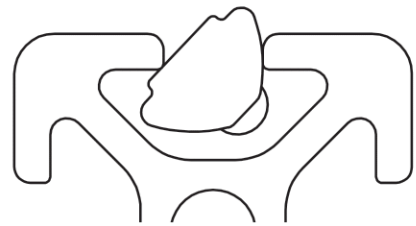
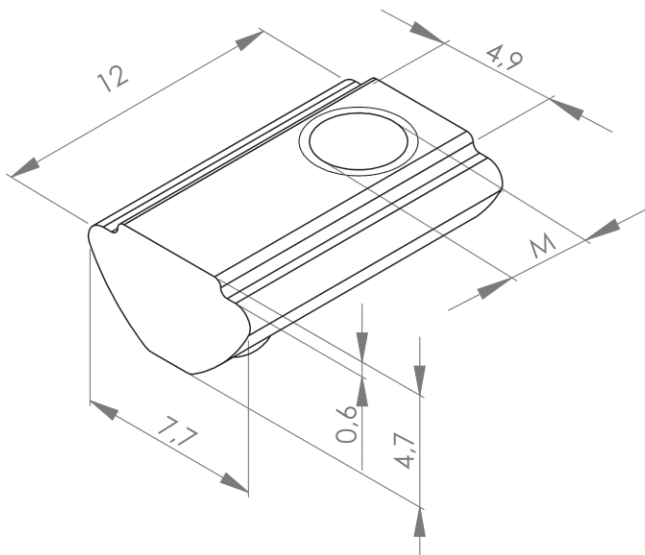
SWIVELLING T-SLOT NUT 5 WITH BALL AND BAR

Available with various thread sizes

T-slot nuts can be inserted into the end of the profile slot or swivelled in from above

A spring-loaded ball fixes the T-slot nut in the desired position after it has been swivelled/inserted in place

The bar on the top of the T-slot nut centres the nut in the slot



Positioning the T-slot nut

Description	Slot	M (mm)	Material	Weight (g)	ESD	Art. no.:
Swivelling T-slot nut 5 with ball and bar	5	M3	Steel, zinc-plated	2.1	-	353010
	5	M4	Steel, zinc-plated	1.9	-	353020
	5	M5	Steel, zinc-plated	1.7	-	353030