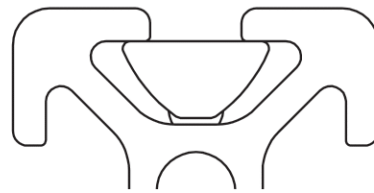
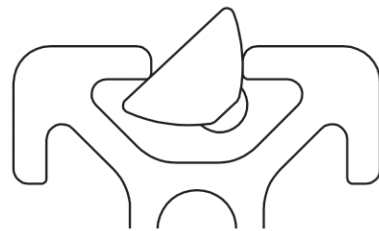
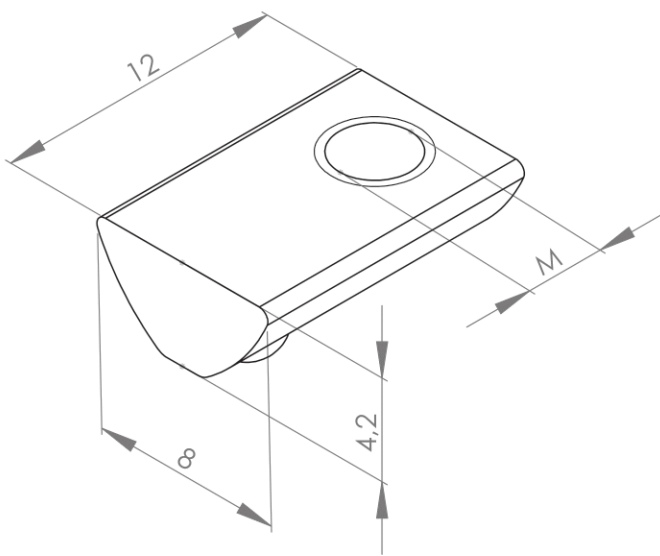


## SWIVELLING T-SLOT NUT 5 WITH BALL (WITHOUT BAR)

Available with various thread sizes

T-slot nuts can be swivelled into the slot or inserted into the end of the profile slot

A spring-loaded ball fixes the T-slot nut in the desired position after it has been swivelled/inserted in place



Positioning the T-slot nut

Description	Slot	M (mm)	Material	Weight (g)	ESD	Art. no.:
Swivelling T-slot nut 5 with ball (without bar)	5	M3	Steel, zinc-plated	2.0	-	99900831
	5	M4	Steel, zinc-plated	1.8	-	99900663
	5	M4	Stainless steel	1.8	-	99900881
	5	M5	Steel, zinc-plated	1.6	-	99900655
	5	M5	Stainless steel	1.6	-	99900907