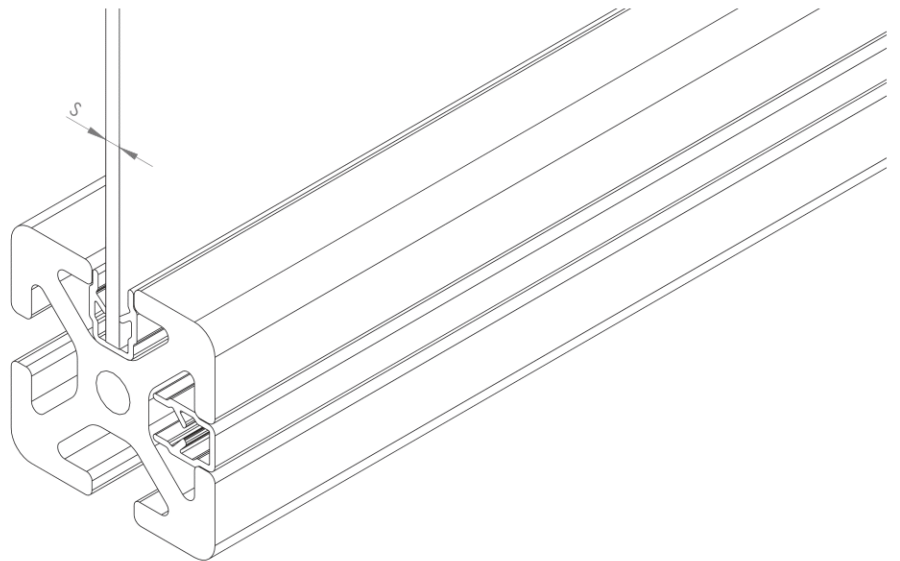





## COVER AND EDGING PROFILES

- For enclosing panel elements in a profile slot
- Suitable for covering the profile slots
- Keeps dust and other dirt out of the profile slot



	Description	Slot	Panel thickness (S)	Overall length (L)	Material	Colour	Weight (g)	Series	Art. no.:
	Cover and edging profile 5 black, L=2000 mm, S=1-3 mm	5	1 - 3	2000	PP + TPE	Black	-	(i)	413035
	Cover and edging profile 5 transparent, L=2000 mm, S=1-3 mm	5	1 - 3	2000	PP + TPE	Transparent	-	(i)	413036
	Cover and edging profile 6, black, L=2000 mm, S=2-4 mm	6	2 - 4	2000	PP + TPE	Black	-	(i)	413040
	Cover and edging profile 6, transparent, L=2000 mm, S=2-4 mm	6	2 - 4	2000	PP	Transparent	-	(i)	413041
	Cover and edging profile 6, grey, L=2000 mm, S=2-4 mm	6	2 - 4	2000	PP	Grey, similar to RAL 7042	-	(i)	413042
	Cover and edging profile 8, black, L=2000 mm, S=4-6 mm	8	4 - 6	2000	PP + TPE	Black	-	(i)	413045
	Cover and edging profile 8, transparent, L=2000 mm, S=4-6 mm	8	4 - 6	2000	PP + TPE	Transparent	-	(i)	413046
	Cover and edging profile 8, transparent, L=2000 mm, S=0.8-3 mm	8	0.8 - 3	2000	PP + TPE	Transparent	-	(i)	413047
	Cover and edging profile 8, grey, L=2000 mm, S=4-6 mm	8	4 - 6	2000	PP + TPE	Grey, similar to RAL 7042	-	(i)	413048
	Cover and edging profile 8, yellow, L=2000 mm, S=4-6 mm	8	4 - 6	2000	PP + TPE	Yellow, similar to RAL 1018	-	(i)	413049