



## MULTIBLOCKS

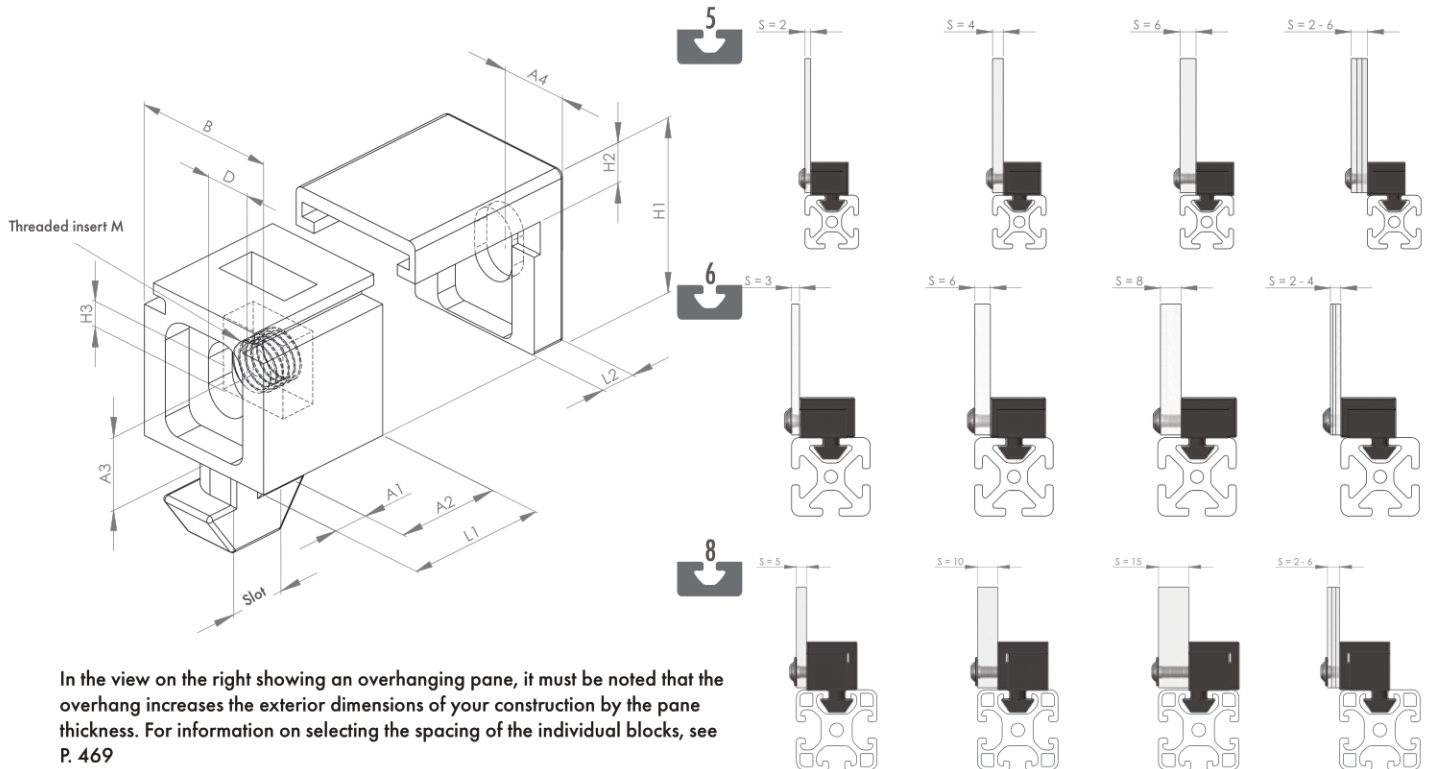
Material: PA plastic (black), glass fibre reinforced (GRP)

For fastening panel elements of all kinds

Varied range of applications

For a wide selection of panel thicknesses

The panel thicknesses (S) stated in the drawings are our recommendations for ensuring proper installation of panels on profiles.



In the view on the right showing an overhanging pane, it must be noted that the overhang increases the exterior dimensions of your construction by the pane thickness. For information on selecting the spacing of the individual blocks, see P. 469

Description	M	Slot (mm)	D (mm)	A1 (mm)	A2 (mm)	A3 (mm)	A4 (mm)	B (mm)	H1 (mm)	H2 (mm)	H3 (mm)	L1 (mm)	L2 (mm)	Vers.	Weight (g)	Series	Art. no.:
Multiblock 5 M4, 2 parts	4	5	4.5	4	10	6.5	6	12	12.25	3.25	2	12	2	-	2.5	(i)	411062
Multiblock 6 M5, 2 parts	5	6	6	6	12	6.5	7.5	15	15.5	4.5	3	18	3	-	5.5	(i)	411064
Multiblock 8 M6, 2 parts	6	8	6.5	5	11	10	9.9	20	24	5.5	3.5	20	5	-	13.1	(i)	411065
Multiblock 8 40 M6, 2 parts with captive screw	6	8	6.5	5	11	10	9.9	20	24	5.5	3.5	20	5	Fas- tening kit*	18.3	(i)	411075

### Fastening kit:\*

With captive screw and O-ring for standard-compliant fastening of panel elements