

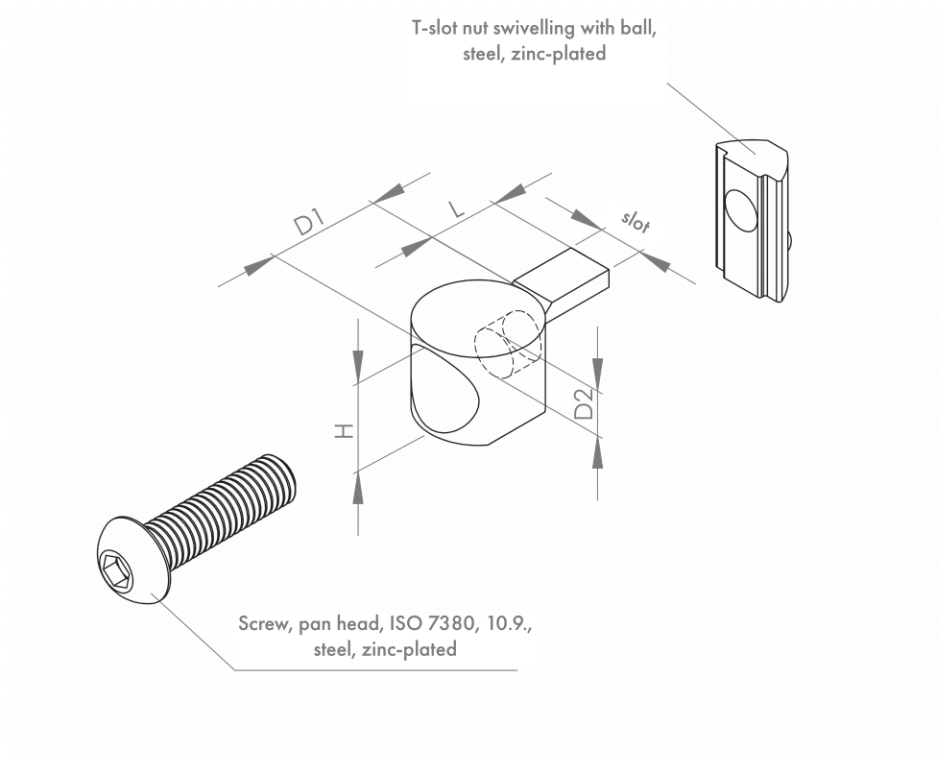


## UNI FASTENING SETS



For connecting two profiles at a 90° angle.

The processing options required to assemble the items can be found on pages 223-231



Description	Slot	L (mm)	H (mm)	D1 (mm)	D2 (mm)	Version	Weight (g)	ESD	Art. no.:
Uni fastening set 5	5	5.2	8.5	12	4.5	Fastening kit*	7.6	-	371005
Uni fastening set 6	6	9.2	12.6	16	6.2	Fastening kit**	17.5	-	371010
Uni fastening set 8	8	13.5	16	20	8.1	Fastening kit***	39.4	-	371020
Uni fastening set 8	8	13.5	16	20	8.1	Fastening kit***	39.4		371021

Fastening kit:*	Fastening kit:**	Fastening kit***
1x universal connectors 5, die-cast zinc	1x universal connectors 6, die-cast zinc	1x universal connectors 8, die-cast zinc
1x screw, cylinder head, DIN 912, M4x14, 8.8, steel, zinc-plated	1x screw, pan head, ISO 7380, M6x22, 10.9, steel, zinc-plated	1x screw, pan head, ISO 7380, M8x30, 10.9, steel, zinc-plated
1x swivelling T-slot nut 5 M5 with ball and bar, steel, zinc-plated	1x swivelling T-slot nut 6 M6 with ball without bar, steel, zinc-plated	1x swivelling T-slot nut 8 M8 with ball and bar, steel, zinc-plated (with ESD notch 371021)