



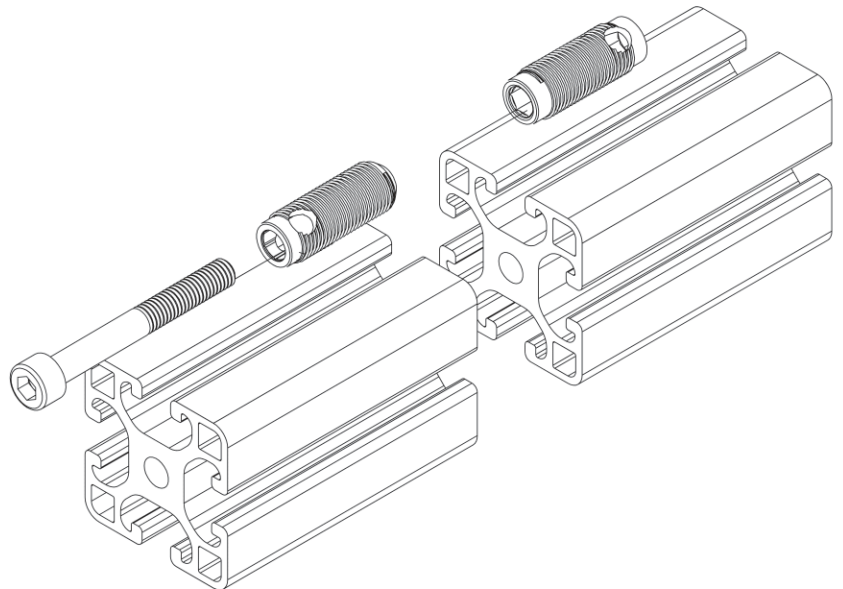
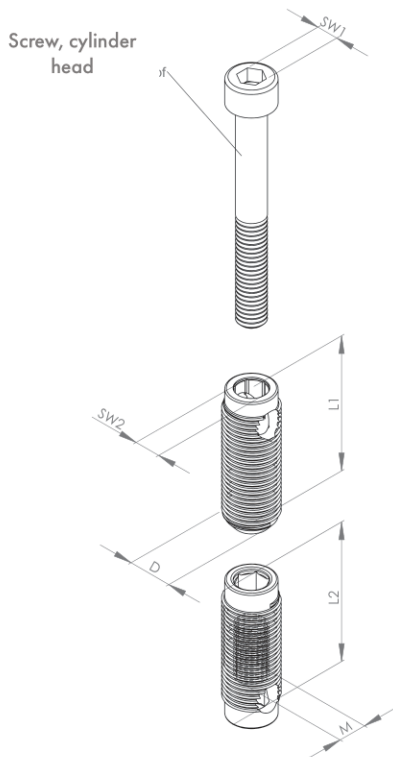
## SCREW-IN JOINT CONNECTOR SETS






For connecting two profiles end to end.

Sleeves with left-hand thread

Special screws for ensuring insertion into slot

No profile processing required



Description	Slot	Screw	D (Ø)	L1 (mm)	L2 (mm)	SW1 (mm)	SW2 (mm)	Material	Version	Weight (g)	ESD 	Art. no.:
Screw-in joint connector set 6, unilateral	6	M5x45	10	27	28	4	5	Steel, zinc-plated	Fastening kit *	-		390027
Screw-in joint connector set 6, unilateral, stainless	6	M5x45	10	27	28	4	5	Stainless steel	Fastening kit *	-		390027VA
Screw-in joint connector set 8, unilateral	8	M6x50	12	31	31	5	6	Steel, zinc-plated	Fastening kit *	-		390028
Screw-in joint connector set 8, unilateral, stainless	8	M6x50	12	31	31	5	6	Stainless steel	Fastening kit *	-		390028VA

### Fastening kit: \*

1 x screw-in connector sleeve (self-tapping)

1 x threaded sleeve (self-tapping)

1 x screw, cylinder head