



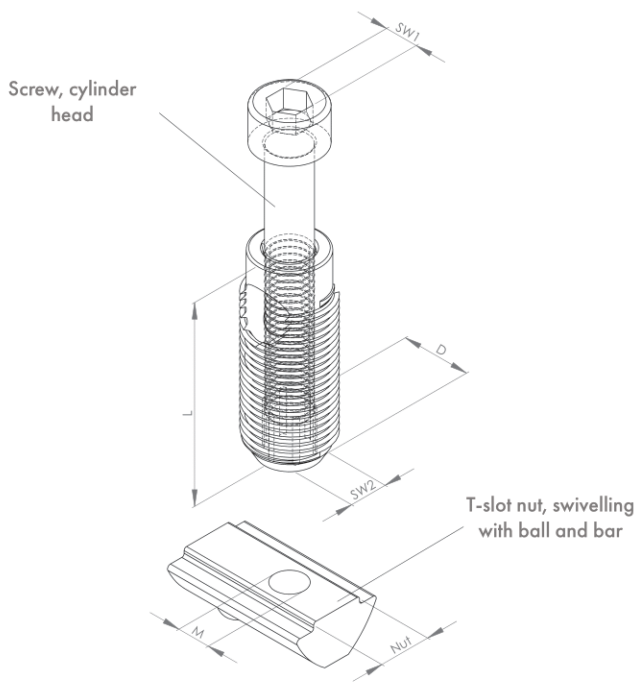
5 6 8 12
SCREW-IN CONNECTOR SET 

For connecting two profiles at a 90° angle.

1x screw-in connector sleeve (self-tapping)

1x screw, cylinder head

1x swivelling T-slot nut with ball and bar

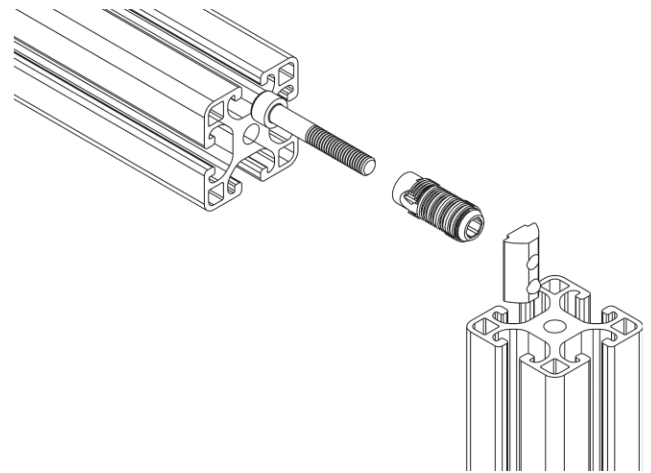



Sleeve with left-hand thread

Special screws for ensuring insertion into slot

No profile processing required

Available in ESD variants 



Description	Slot	Screw	D (Ø)	L (mm)	SW1 (mm)	SW2 (mm)	Material	Weight (g)	ESD	Art. no.:
Screw-in connector set 5, unilateral	5	M4x30	7	24	3	4	Steel, zinc-plated	-	-	390003
Screw-in connector set 5, unilateral, stainless	5	M4x30	7	24	3	5	Stainless steel	-	-	390003VA
Screw-in connector set 6, unilateral	6	M5x29	10	20.1	4	5	Steel, zinc-plated	-	-	390006
Screw-in connector set 8, unilateral	8	M6x40	12	31	5	6	Steel, zinc-plated	-	-	390012
Screw-in connector set 8, unilateral, stainless	8	M6x40	12	31	5	6	Stainless steel	-	-	390012VA
Screw-in connector set 8, unilateral, with T-slot nut with ESD notch	8	M6x40	12	31	5	6	Steel, zinc-plated	-		390017
Screw-in connector set 12, unilateral	12	M8x60	18	47	6	8	Steel, zinc-plated	-	-	390023

Accessories	Slot	Material	Weight	ESD	Art. no.:
Cover cap for screw-in connector	8	PA plastic, black	-	-	390014
Cover cap for screw-in connector	8	PA plastic, grey (similar to RAL 7042)	-	-	390022