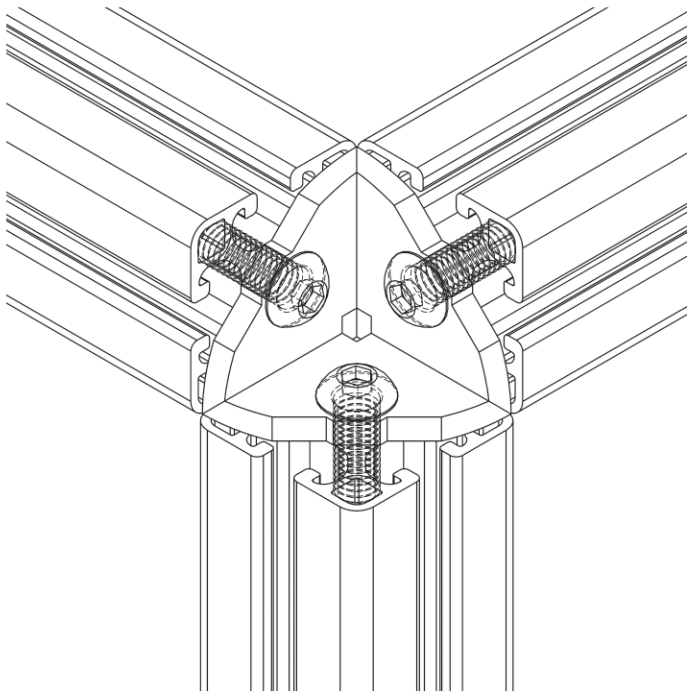


CORNER BRACKET SETS

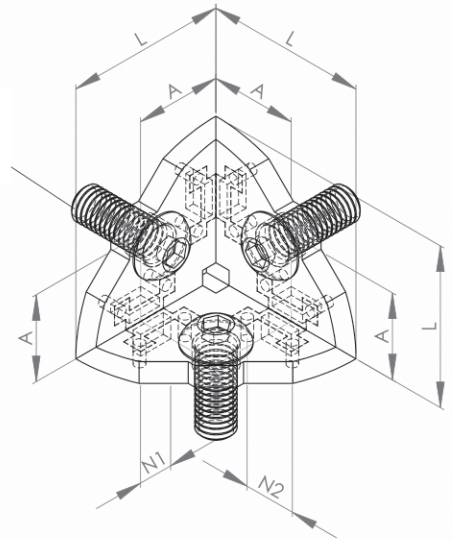
Angle bracket material: die-cast zinc



For connecting three profiles to form a corner joint.

To assemble the items, all three elements being connected require a thread of the appropriate size.



Screw, pan head ISO 7380, 10.9, steel, zinc-plated



Description	Slot	L (mm)	A (mm)	N1 (mm)	N2 (mm)	Version	Weight (g)	ESD	Art. no.:
Corner bracket set 6 30	6	27.5	15	6.25	12	Fastening kit*	-		352005
Corner bracket set 8 40	8	37.5	20	6.5	12	Fastening kit**	-		352010

Fastening kit: *

3x screws, pan head, ISO 7380, M6x16, 10.9, steel, zinc-plated

Fastening kit: **

3x screws, pan head, ISO 7380, M8x20, 10.9, steel, zinc-plated

COVER CAPS FOR CORNER BRACKETS

Material: PA plastic



Description	Slot	Material	Dimensions (mm)	Version	Weight (g)	Art. no.:
Cover cap for corner bracket 6 30 square angle	6	PA plastic	30 square angle	Black	46	352015
Cover cap for corner bracket 8 40 square angle	8	PA plastic	40 square angle	Black	46	352020
Cover cap for corner bracket 6 30 radius angle	6	PA plastic	30 radius angle	Black	46	352016
Cover cap for corner bracket 8 40 radius angle	8	PA plastic	40 radius angle	Black	46	352030