



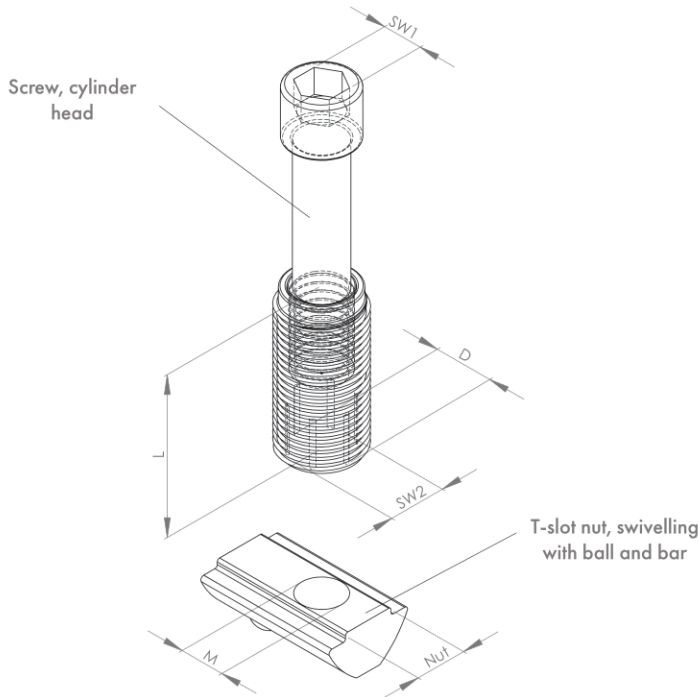
## FORM CONNECTOR SET

For connecting two profiles at a 90° angle.

1 x form connector sleeve (self-tapping)

1 x screw, cylinder head

1 x swivelling T-slot nut with ball and bar

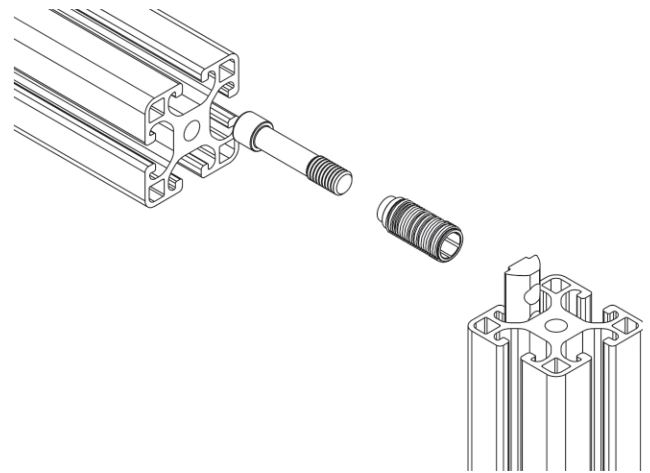



Sleeve with right-hand thread

Special screws for ensuring insertion into slot

No profile processing required

Available in ESD variants 



Description	Slot	Screw	D (Ø)	L (mm)	SW1 (mm)	SW2 (mm)	Material	Weight (g)	ESD	Art. no.:
Form connector set 5, unilateral	5	M4x30	7	26.2	3	4	Steel, zinc-plated	-	-	390002
Form connector set 5, unilateral, stainless	5	M4x30	7	26.2	3	4	Stainless steel	-	-	390002VA
Form connector set 6, unilateral	6	M6x29	10	20.1	5	5	Steel, zinc-plated	-	-	390004
Form connector set 8, unilateral	8	M8x35	12	24.2	6	8	Steel, zinc-plated	-	-	390010
Form connector set 8, unilateral, stainless	8	M8x35	12	24.2	6	8	Stainless steel	-	-	99900385
Form connector set 8, unilateral, with T-slot nut with ESD notch	8	M8x35	12	24.2	6	8	Steel, zinc-plated	-		390020

Accessories	Slot	Material	Weight	ESD	Art. no.:
Cover plate for form connector 8, stainless steel	8	Stainless steel	-	-	390011