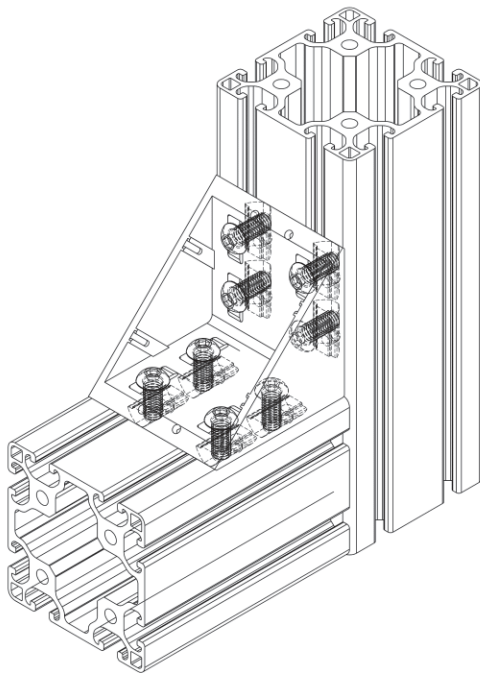




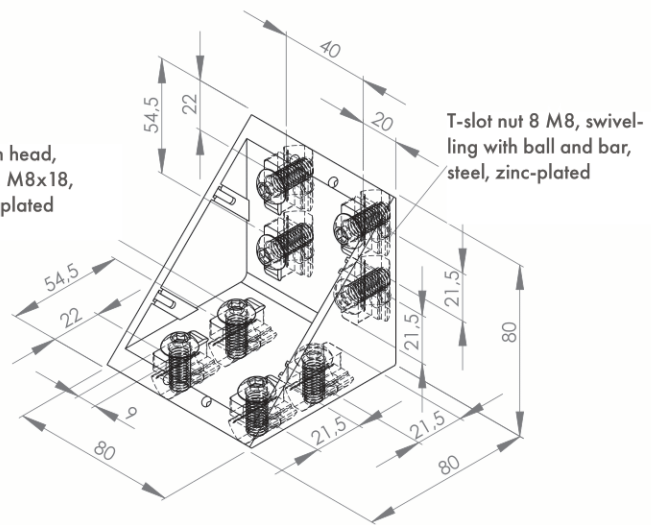
## ANGLE BRACKET 8 80x80, ZINC, ALUMINIUM COLOUR



For connecting two profiles at a 90° angle.

Mounting this item does not require any profile processing.



Screw, pan head,  
ISO 7380, M8x18,  
steel, zinc-plated



Description	Slot	Material	Dimensions (mm)	Version	Weight (g)	ESD	Art. no.:
Angle bracket 8 80x80 zinc, aluminium colour	8	Die-cast zinc	80x80	Without fastening kit	-		351111
Angle bracket 8 80x80 zinc, aluminium colour with fastening kit	8	Die-cast zinc	80x80	With fastening kit*	-		351121

### Fastening kit: \*

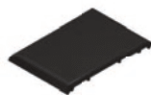
8x screws, pan head, ISO 7380, M8x18, 10.9, steel, zinc-plated

8x swivelling T-slot nuts 8 M8 with ball and bar, steel, zinc-plated

8x washers DIN 125 A Ø8.4, steel, zinc-plated

## COVER CAP 80x80

Material: PA plastic



Description	Slot	Material	Dimensions (mm)	Version	Weight (g)	Art. no.:
Cover cap for angle bracket 8 80x80	8	PA plastic	80x80	Black	-	321175