

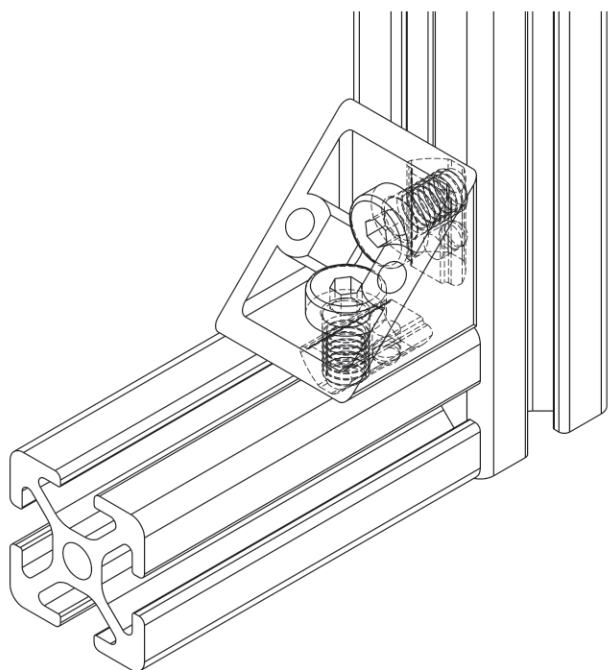


ANGLE BRACKET 5 20x20 ZINC, ALUMINIUM COLOUR

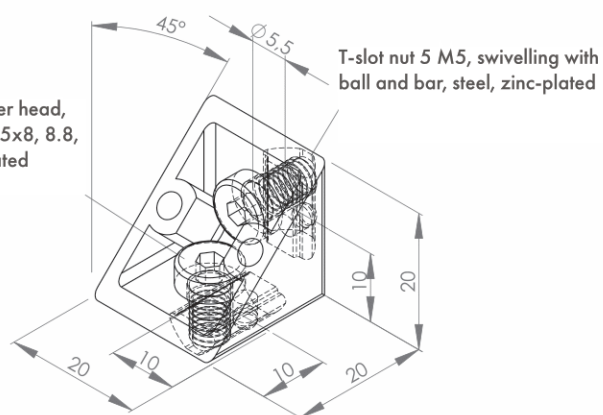
Material: Angle bracket: die-cast zinc, aluminium colour, powder-coated



For connecting two profiles at a 90° angle.

Mounting this item does not require any profile processing.



Screw, cylinder head, DIN 7984, M5x8, 8.8, steel, zinc-plated



Description	Slot	Material	Dimensions (mm)	Version	Weight (g)	ESD	Art. no.:
Angle bracket 5 20x20 zinc, aluminium colour	5	Die-cast zinc	20x20	Without fastening kit	-		351211
Angle bracket 5 20x20 zinc, aluminium colour with fastening kit	5	Die-cast zinc	20x20	With fastening kit*	-		351221

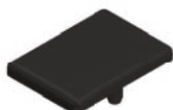
Fastening kit: *

2x screws, cylinder head, DIN 7984, M5x 8, 8.8, steel, zinc-plated

2x swivelling T-slot nuts 5 M5 with ball and bar, steel, zinc-plated

COVER CAP 20x20

Material: PA plastic



Description	Slot	Material	Dimensions (mm)	Version	Weight (g)	Art. no.:
Cover cap for angle bracket 5 20x20	5	PA plastic	20x20	Black	-	321132