



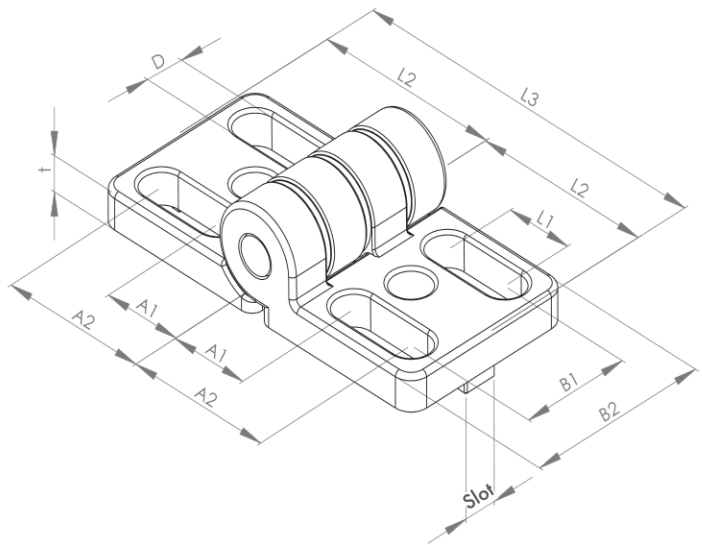
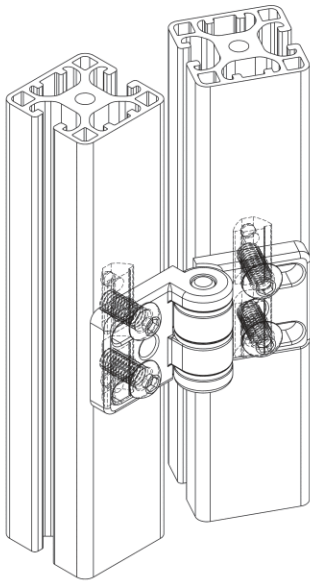
## HINGE, ZINC (WITH ELONGATED HOLE)

Material:

Hinge: die-cast zinc (zinc), black powder-coated

Axis: stainless steel

For swivelling connection of two elements.



Description	A1 (mm)	A2 (mm)	B1 (mm)	B2 (mm)	L1 (mm)	L2 (mm)	L3 (mm)	D (mm)	Slot (mm)	t (mm)	Weight (g)	Series	Art. no.:
Hinge, zinc 6 30x60 (elongated hole)	13	24	18	30	11	30	60	Ø6.4	6	5.5	175.0	(i)	402045
Hinge, zinc 8 40x80 (elongated hole)	20	33	24	40	13	40	80	Ø8.3	8	8	180.0	(i)	402051
Hinge, zinc 30x60 slot 8 (elongated hole)	13	24	18	30	11	30	60	Ø6.4	8	5.5	175.0	(B)	402046
Hinge, zinc 40x80 slot 10 (elongated hole)	20	33	24	40	13	40	80	Ø8.3	10	8	180.0	(B)	402050