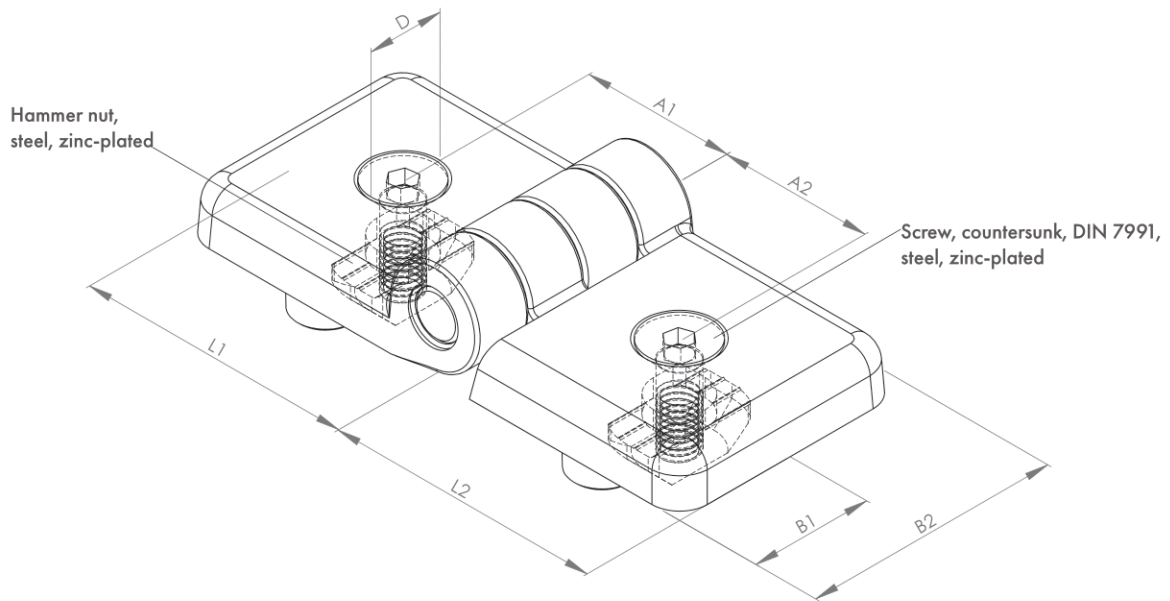


PLASTIC HINGE WITH FASTENING KIT

Hinge material: PA plastic (black), glass fibre reinforced (GRP)

Axis material: stainless steel

For swivelling connection of two elements.



Description	A1 (mm)	A2 (mm)	L1 (mm)	L2 (mm)	D (mm)	Slot (mm)	t (mm)	B1 (mm)	B2 (mm)	Version	Weight (g)	Art. no.:
Plastic hinge 20x20 (mini)	10.2	10.2	16	16	Ø5.2	6	4	10	20	-	5.0	99900731
Plastic hinge 30x30 (2 holes)	17.5	17.5	30	30	Ø6.6	8	8.5	20	40	Fastening kit*	80.0	402060
Plastic hinge 40x40 (2 holes)	22.5	22.5	39	39	Ø6.6	10	8.5	20	40	Fastening kit**	90.0	402065
Plastic hinge 30x45 (2 holes)	17.5	25	30	45	Ø6.6	8/10	8.5	20	40	Fastening kit***	109.0	402070
Plastic hinge 45x45 (2 holes)	25	25	45	45	Ø6.6	10	8.5	20	40	Fastening kit****	111.0	402075
Plastic hinge 45x60 (2 holes)	32.5	25	60	45	Ø6.6	10	8.5	20	40	Fastening kit****	115.0	402080

Fastening kit:*	Fastening kit:**	Fastening kit:***	Fastening kit:****
2x hammer nuts slot 8 M6, steel, zinc-plated	2x hammer nuts slot 10 M6, steel, zinc-plated	1x hammer nut slot 10 M6, steel, zinc-plated	2x hammer nuts slot 10 M6, steel, zinc-plated
2x countersunk screws DIN 7991-M6x20, steel, zinc-plated	2x countersunk screws DIN 7991-M6x20, steel, zinc-plated	1x hammer nut slot 8 M6, steel, zinc-plated	2x countersunk screws DIN 7991-M6x20, steel, zinc-plated
		1x countersunk screw DIN 7991-M6x16, steel, zinc-plated	
		1x countersunk screw DIN 7991-M6x20, steel, zinc-plated	