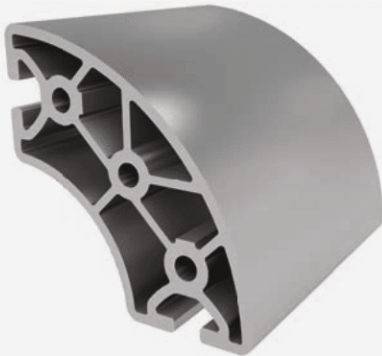




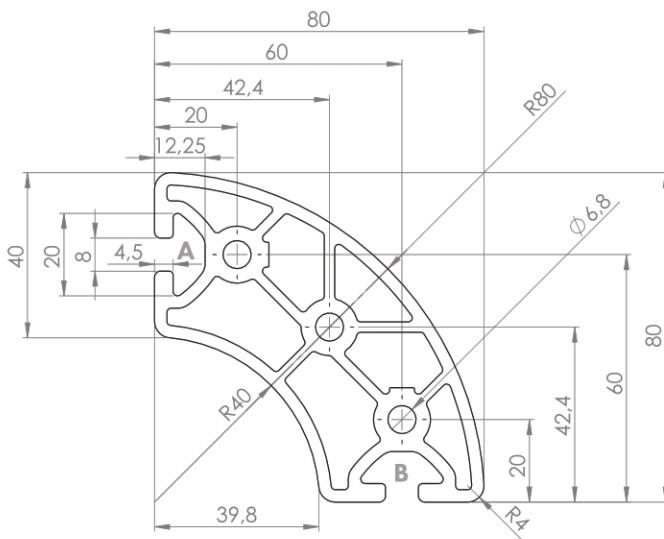
PROFILE 8 40x40L R40/80 - 90° (light)

Material: anodised aluminium



Technical data:

Surface A [cm ²]	15.00
Moment of inertia I _x [cm ⁴]	76.25
Moment of inertia I _y [cm ⁴]	76.25
Section modulus W _x [cm ³]	18.69
Section modulus W _y [cm ³]	18.69
Weight m [kg/m]	4.05



Standard processing:	Art. no.:
M8 / -	103200
M8 / M8	103205
M8= / -	103215
M8= / M8=	103210

Explanations and further processing options can be found on p. 223-231

Dimensions (version)	Length (mm)	Slot	Weight (kg)	Art. no.:
40x40L R40/80 - 90°	Cut to length	8	4.05 kg/m	20207600
40x40L R40/80 - 90°	6060	8	4.05 kg/m	20207601

If this profile is cut to length, the cutting costs incurred per saw cut must be factored in. (Art. no.: 101020)

COVER CAP 8 R40/80 - 90°

Material: PA plastic



Dimensions (version)	Slot	Weight (g)	Version	Art. no.:
R40/80 - 90°	8	11	Black	421046