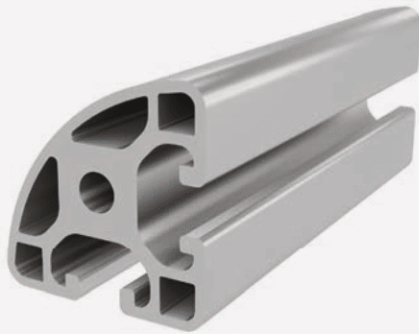




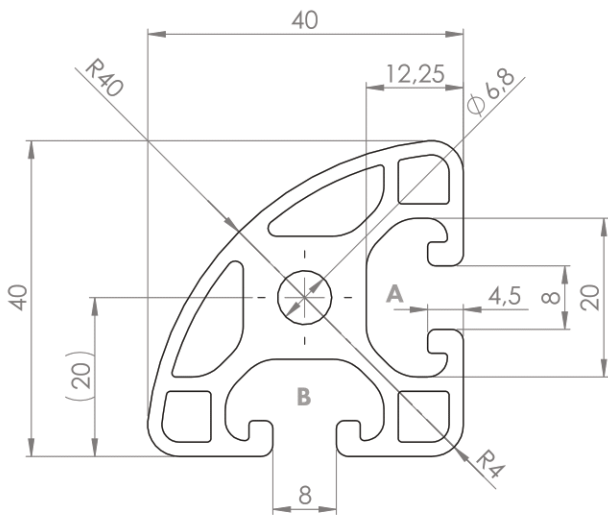
## PROFILE 8 40x40L R40-90° (light)

Material: anodised aluminium



### Technical data:

|   |      |
|---|------|
| Surface A [cm <sup>2</sup> ]                        | 5.72 |
| Moment of inertia I <sub>x</sub> [cm <sup>4</sup> ] | 6.65 |
| Moment of inertia I <sub>y</sub> [cm <sup>4</sup> ] | 6.65 |
| Section modulus W <sub>x</sub> [cm <sup>3</sup> ]   | 3.04 |
| Section modulus W <sub>y</sub> [cm <sup>3</sup> ]   | 3.04 |
| Weight m [kg/m]                                     | 1.54 |



| Standard processing:        | Art. no.: |
|-----------------------------|-----------|
| M8 / -                      | 103200    |
| M8 / M8                     | 103205    |
| D20(Uni)/ -                 | 1020301   |
| D20(Uni)/D20(Uni)           | 1020302   |
| D12-15 (SSV) / -            | 102445    |
| D12-15 (SSV) / D12-15 (SSV) | 102446    |
|                             |           |
|                             |           |
|                             |           |
|                             |           |
|                             |           |
|                             |           |

Explanations and further processing options can be found on p. 223-231

| Dimensions (version) | Length (mm)   | Slot | Weight (kg) | Art. no.: |
|----------------------|---------------|------|-------------|-----------|
| 40x40L R40-90°       | Cut to length | 8    | 154 kg/m    | 20206100  |
| 40x40L R40-90°       | 6060          | 8    | 154 kg/m    | 20206101  |

If this profile is cut to length, the cutting costs incurred per saw cut must be factored in. (Art. no.: 101020)

## COVER CAP 8 R40-90°

Material: PA plastic



| Dimensions (version) | Slot | Weight (g) | Version | Art. no.: |
|----------------------|------|------------|---------|-----------|
| R40-90°              | 8    | 4.4        | Black   | 421041    |