

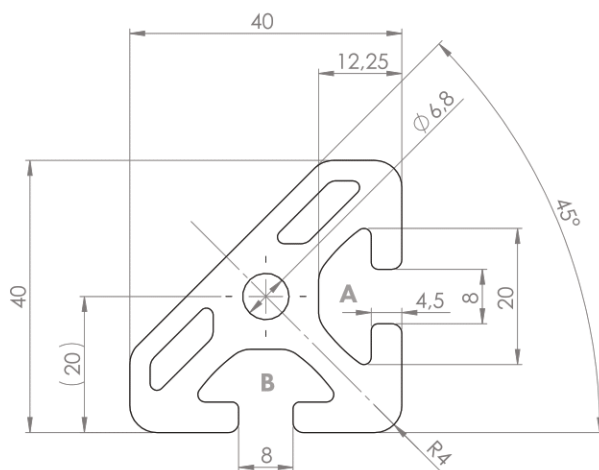


PROFILE 8 40x40 45°

Material: anodised aluminium

Technical data:

Surface A [cm ²]	7.30
Moment of inertia I _x [cm ⁴]	9.39
Moment of inertia I _y [cm ⁴]	9.39
Section modulus W _x [cm ³]	4.08
Section modulus W _y [cm ³]	4.08
Weight m [kg/m]	1.97



Standard processing:	Art. no.:
M8 / -	103200
M8 / M8	103205
D20(Uni) / -	1020301
D20(Uni)/D20(Uni)	1020302
D12-15 (SSV) / -	102445
D12-15 (SSV) / D12-15 (SSV)	102446

Explanations and further processing options can be found on p. 223-231

Dimensions (version)	Length (mm)	Slot	Weight (kg)	Art. no.:
40x40 45°	Cut to length	8	1.97 kg/m	20206600
40x40 45°	6060	8	1.97 kg/m	20206601

If this profile is cut to length, the cutting costs incurred per saw cut must be factored in. (Art. no.: 101020)

COVER CAP 8 40x40-45°

Material: PA plastic



Dimensions (version)	Slot	Weight (g)	Version	Art. no.:
40x40-45°	8	1.9	Black	421042