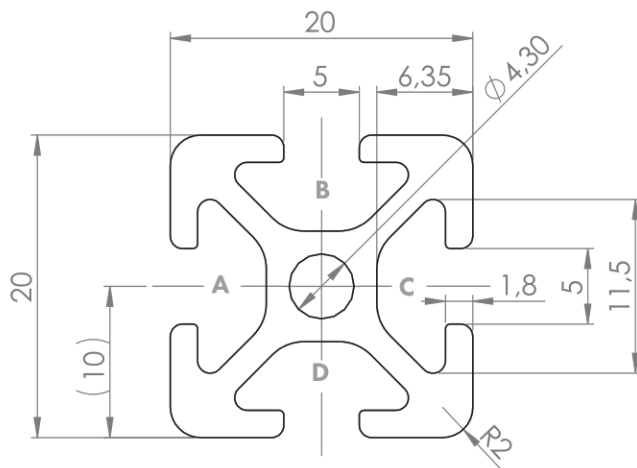


PROFILE 5 20x20

Material: anodised aluminium

Technical data:

Surface A [cm ²]	1.80
Moment of inertia I _x [cm ⁴]	0.72
Moment of inertia I _y [cm ⁴]	0.72
Section modulus W _x [cm ³]	0.72
Section modulus W _y [cm ³]	0.72
Weight m [kg/m]	0.48



Standard processing:	Art. no.:
M5 / -	103170
M5 / M5	103171
D4.5 / -	102170
D4.5 / D4.5	102172
D4.5 / D4.5V	102175
D4.5+ / -	102185
D4.5+ / D4.5+	102187
D12(Uni) / -	102440
D12(Uni) / D12(Uni)	102441
D12(Uni) / D12V(Uni)	102452

Explanations and further processing options can be found on p. 223-231

Dimensions (version)	Length (mm)	Slot	Weight (kg)	Art. no.:
20x20	Cut to length	5	0.48 kg/m	20201000
20x20	3060	5	0.48 kg/m	20201003
20x20	6060	5	0.48 kg/m	20201001

If this profile is cut to length, the cutting costs incurred per saw cut must be factored in. (Art. no.: 101010)

COVER CAP 5 20x20

Material: PA plastic



Dimensions (version)	Slot	t (mm)	Weight (g)	Version	Art. no.:
20x20	5	4	1.2	Black	421010
20x20	5	2.5	1.2	Black	421011