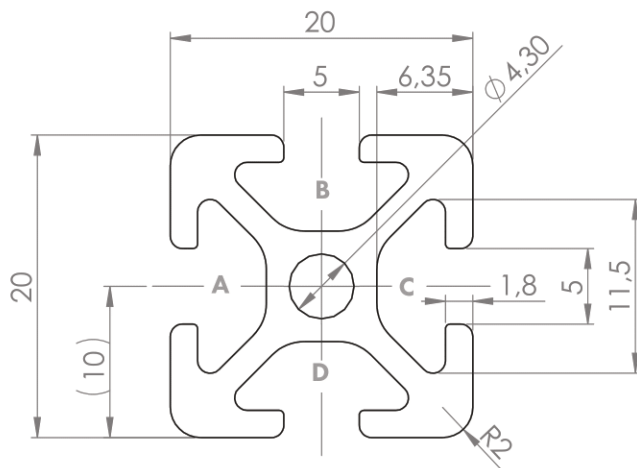


PROFILE 5 20x20

Material: anodised aluminium

Technical data:

| | |
|---|------|
| Surface A [cm ²] | 1.80 |
| Moment of inertia Ix [cm ⁴] | 0.72 |
| Moment of inertia Iy [cm ⁴] | 0.72 |
| Section modulus Wx [cm ³] | 0.72 |
| Section modulus Wy [cm ³] | 0.72 |
| Weight m [kg/m] | 0.48 |



| Standard processing: | Art. no.: |
|----------------------|-----------|
| M5 / - | 103170 |
| M5 / M5 | 103171 |
| D4.5 / - | 102170 |
| D4.5 / D4.5 | 102172 |
| D4.5 / D4.5V | 102175 |
| D4.5+ / - | 102185 |
| D4.5+ / D4.5+ | 102187 |
| D12(Uni) / - | 102440 |
| D12(Uni) / D12(Uni) | 102441 |
| D12(Uni) / D12V(Uni) | 102452 |

Explanations and further processing options can be found on p. 223-231

| Dimensions (version) | Length (mm) | Slot | Weight (kg) | Art. no.: |
|----------------------|---------------|------|-------------|-----------|
| 20x20 | Cut to length | 5 | 0.48 kg/m | 20201000 |
| 20x20 | 3060 | 5 | 0.48 kg/m | 20201003 |
| 20x20 | 6060 | 5 | 0.48 kg/m | 20201001 |

If this profile is cut to length, the cutting costs incurred per saw cut must be factored in. (Art. no.: 101010)

COVER CAP 5 20x20

Material: PA plastic



| Dimensions (version) | Slot | t (mm) | Weight (g) | Version | Art. no.: |
|----------------------|------|--------|------------|---------|-----------|
| 20x20 | 5 | 4 | 1.2 | Black | 421010 |
| 20x20 | 5 | 2.5 | 1.2 | Black | 421011 |