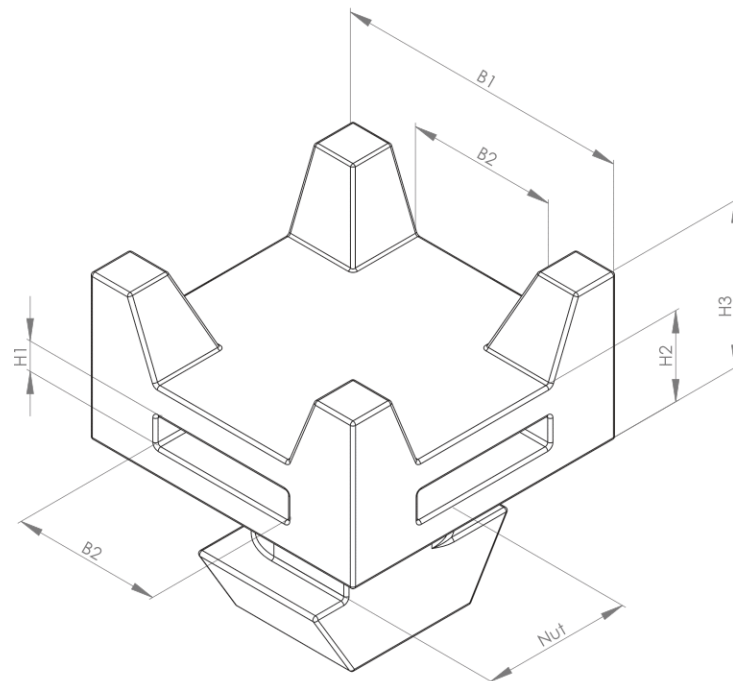


## CROSS CABLE TIE BLOCKS

Material: PA plastic (black / grey), glass fibre reinforced (GRP)

- For quick and easy attachment of cables and hoses
- No profile processing required
- Cable ties required



Description	Slot (mm)	B1 (mm)	B2 (mm)	H1 (mm)	H2 (mm)	H3 (mm)	Weight (g)	Series	Art. no.:
Cross cable tie block 8	8	20	10	2	6	11	3.8	(i)	412015
Cross cable tie block slot 8	8	20	10	2	6	11	4.3	(B)	412010
Cross cable tie block slot 10	10	20	10	2	6	11	4.9	(B)	412020