

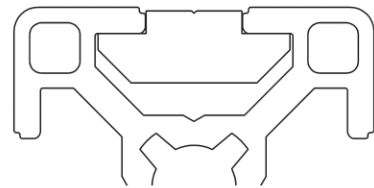
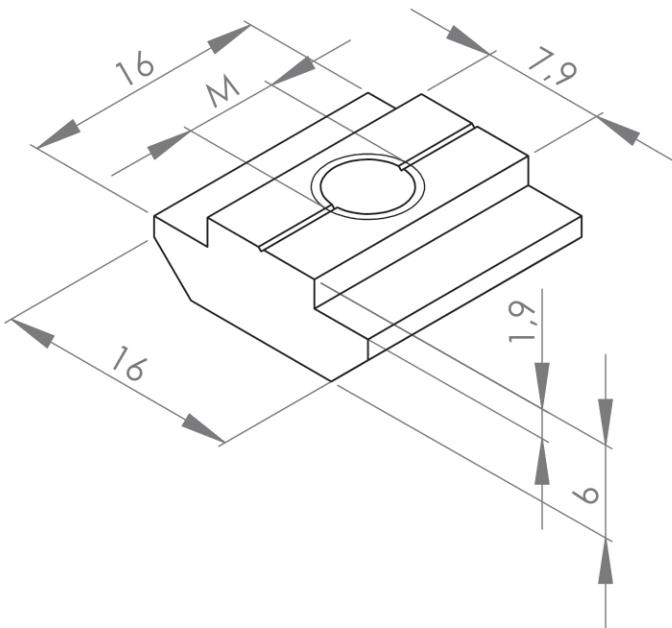


HEAVY-DUTY T-SLOT NUT SLOT 8

Material: steel, zinc-plated. Available with various thread sizes

The heavy-duty T-slot nuts are inserted into the end of the profile slot.

The bar of the T-slot nut centres the T-slot nut in the slot. Heavy-duty T-slot nuts can be used for particularly heavy-duty applications. A matching spring for fixing the T-slot nut in the slot can be found on **page 299**



Positioning the T-slot nut

Description	Slot	M (mm)	Material	Weight (g)	ESD	Art. no.:
Heavy-duty T-slot nut slot 8	8	M4	Steel, zinc-plated	8.4	-	331070
	8	M5	Steel, zinc-plated	8.0	-	331080
	8	M6	Steel, zinc-plated	7.9	-	331090
	8	M8	Steel, zinc-plated	6.6	-	331100