

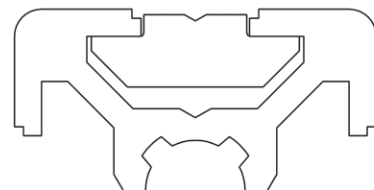
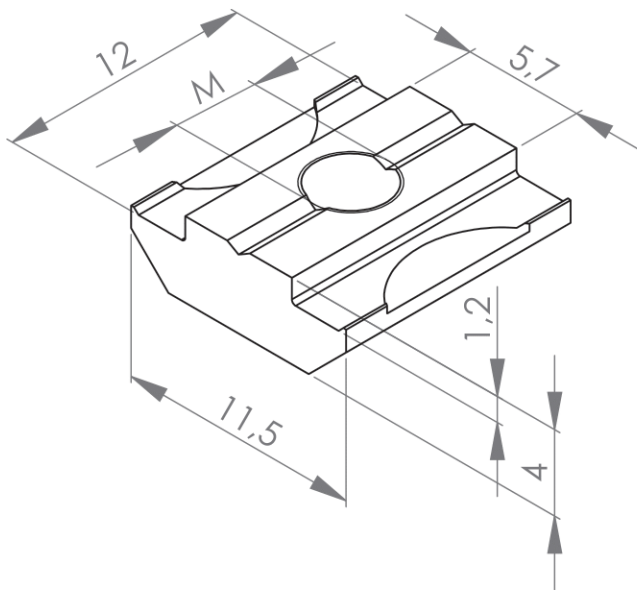
HEAVY-DUTY T-SLOT NUT SLOT 6

Material: stainless steel



Available with various thread sizes

The heavy-duty T-slot nuts are inserted into the end of the profile slot.

The bar of the T-slot nut centres the T-slot nut in the slot. A matching spring for fixing the T-slot nut in the slot can be found on [page 299](#)



Positioning the T-slot nut

Description	Slot	M (mm)	Material	Weight (g)	ESD	Art. no.:
Heavy-duty T-slot nut slot 6	6	M4	stainless steel	2.8		331201
	6	M5	stainless steel	2.7		331206