

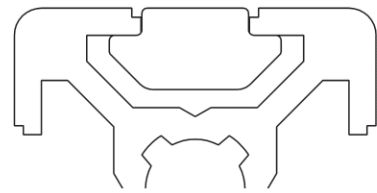
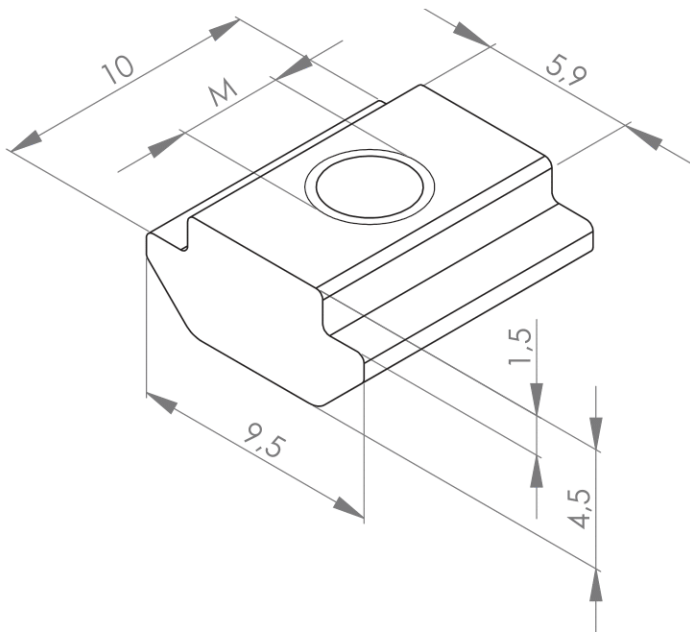
## HEAVY-DUTY T-SLOT NUT SLOT 6

Material: steel, zinc-plated

Available with various thread sizes

The heavy-duty T-slot nuts are inserted into the end of the profile slot.

The bar of the T-slot nut centres the T-slot nut in the slot. **No** matching spring is available for this T-slot nut



Positioning the T-slot nut

Description	Slot	M (mm)	Material	Weight (g)	ESD	Art. no.:
Heavy-duty T-slot nut slot 6	6	M4	steel, zinc-plated	2.1	-	331200
	6	M5	steel, zinc-plated	1.9	-	331205