

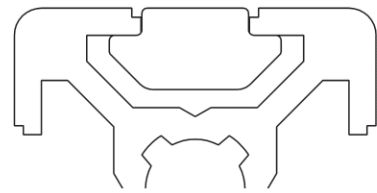
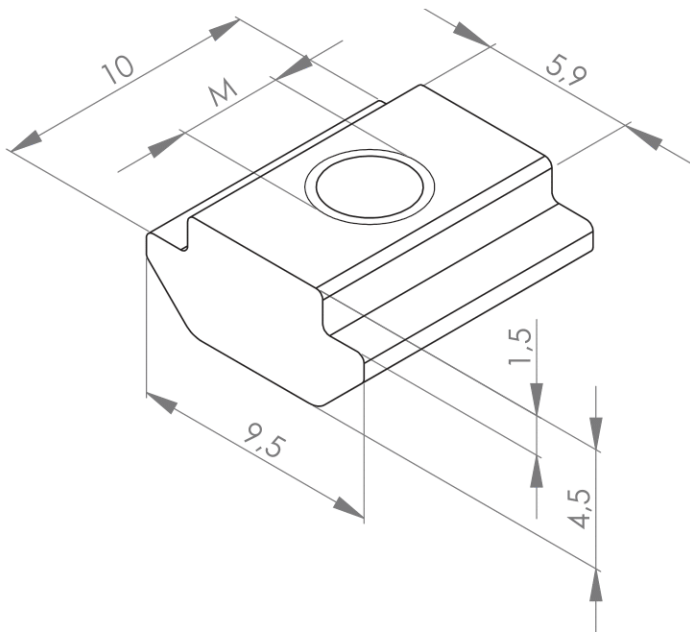
HEAVY-DUTY T-SLOT NUT SLOT 6

Material: steel, zinc-plated

Available with various thread sizes

The heavy-duty T-slot nuts are inserted into the end of the profile slot.

The bar of the T-slot nut centres the T-slot nut in the slot. **No** matching spring is available for this T-slot nut



Positioning the T-slot nut

| Description | Slot | M (mm) | Material | Weight (g) | ESD | Art. no.: |
|------------------------------|------|--------|--------------------|------------|-----|-----------|
| Heavy-duty T-slot nut slot 6 | 6 | M4 | steel, zinc-plated | 2.1 | - | 331200 |
| | 6 | M5 | steel, zinc-plated | 1.9 | - | 331205 |