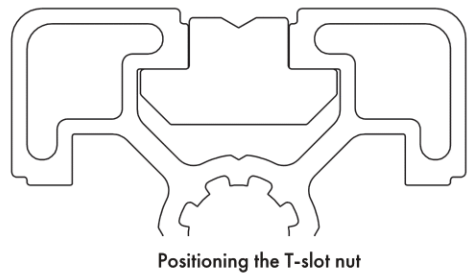
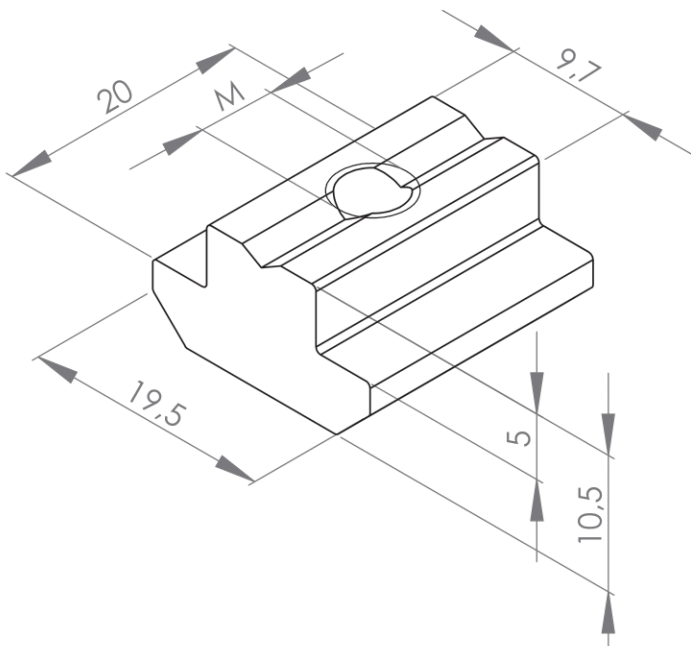


HEAVY-DUTY T-SLOT NUT SLOT 10

Material: steel, zinc-plated

Available with various thread sizes

The heavy-duty T-slot nuts are inserted into the end of the profile slot. The bar of the T-slot nut centres the T-slot nut in the slot. Heavy-duty T-slot nuts can be used for particularly heavy-duty applications. A matching spring for fixing the T-slot nut in the slot can be found on **page 299**



Description	Slot	M (mm)	Material	Weight (g)	ESD	Art. no.:
Heavy-duty T-slot nut slot 10	10	M4	Steel, zinc-plated	21.0	-	332070
	10	M5	Steel, zinc-plated	20.8	-	332080
	10	M6	Steel, zinc-plated	20.2	-	332090
	10	M8	Steel, zinc-plated	18.3	-	332100