



## VARIOFIX BLOCKS

Variofix blocks: PA plastic (black / grey), glass fibre reinforced (GRP)

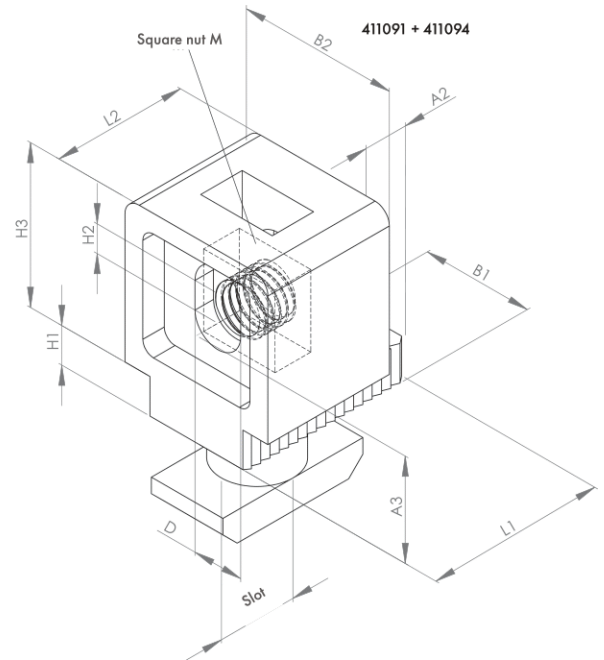
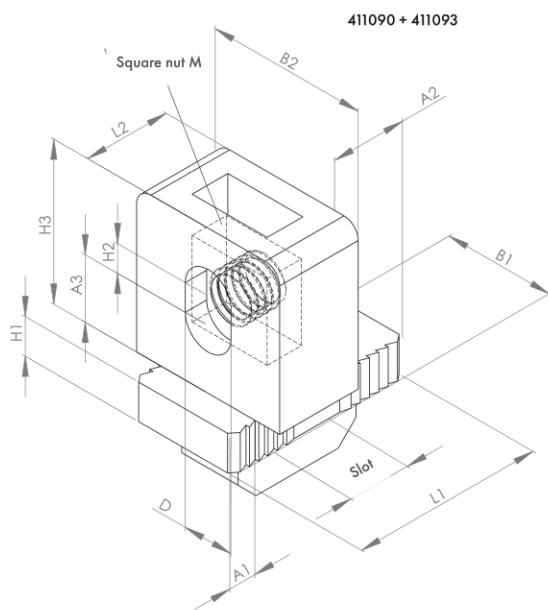
Locking bracket: PA plastic (transparent)

For fastening panel elements of all kinds

Varied range of applications

For a wide selection of panel thicknesses

For information on selecting the spacing of the individual blocks, see P. 466-467



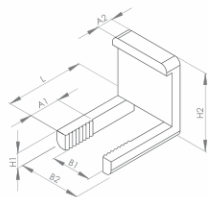
Description	M	Slot (mm)	D (mm)	A1 (mm)	A2 (mm)	A3 (mm)	B1 (mm)	B2 (mm)	H1 (mm)	H2 (mm)	H3 (mm)	L1 (mm)	L2 (mm)	Colour	Version	Weight (g)	Art. no.:
Variofix block slot 8, black	6	8	6.4	3.5	9.5	8.2	14	20	4.8	3.6	20	24	11	Black	Fastening kit*	9.1	<b>411090</b>
Variofix block slot 8, grey	6	8	6.4	3.5	9.5	8.2	14	20	4.8	3.6	20	24	11	Grey	Fastening kit*	9.1	<b>411098</b>
Variofix block slot 10, black	6	10	6.4	-	5.5	13	14	20	4.8	3.6	20	22.5	17	Black	Fastening kit**	10.6	<b>411091</b>
Variofix block slot 10, grey	6	10	6.4	-	5.5	13	14	20	4.8	3.6	20	22.5	17	Grey	Fastening kit**	10.6	<b>411094</b>

### Fastening kit:\*

With square nut M6, steel zinc-plated

### Fastening kit:\*\*

With square nut M6, steel, zinc-plated and locking ring M6, PA plastic



Accessories:	Slot	L	A1	A2	B1	B2	H1	H2	Colour	Weight (g)	Art. no.:
Locking bracket slot 8 / slot 10, PA, transparent	8 / 10	26	11.5	5	9.3	20.5	3.9	26	Transparent	2.4	<b>411092</b>