

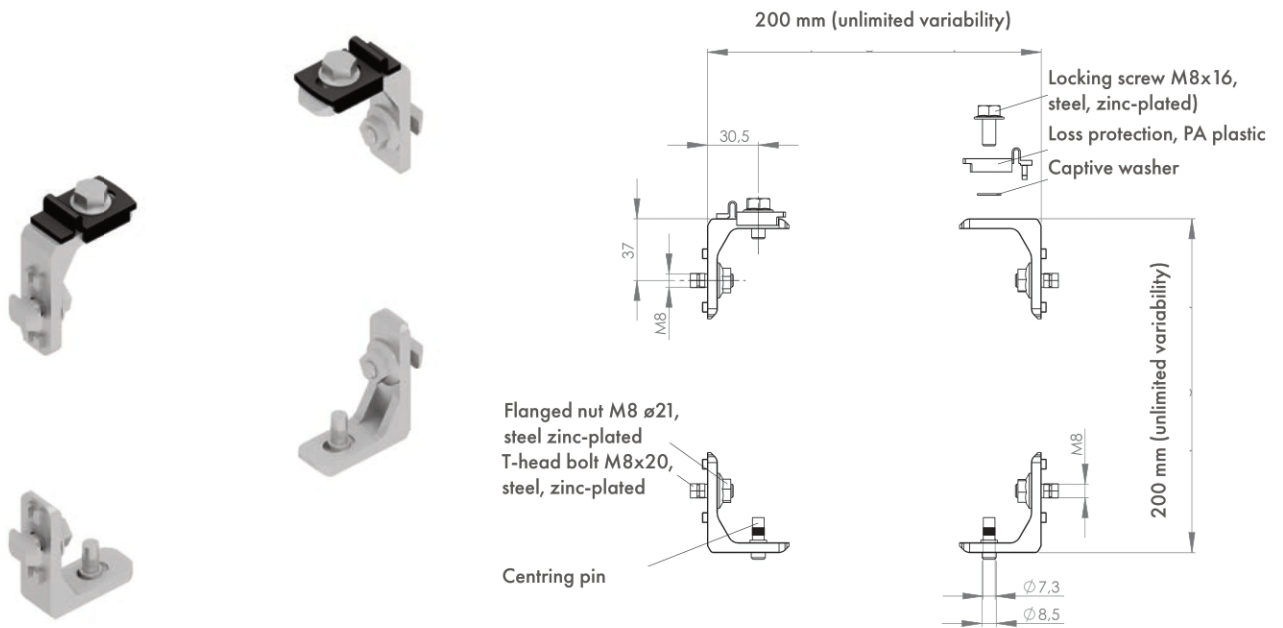
SUSPENSION BRACKET SET FOR PROTECTIVE FENCE (OPT. WITH LOSS PROTECTION)



Angle bracket material: die-cast zinc

For suspending protective fences (e.g. crimped mesh) as wall-mounted elements.

The following processing actions are required to assemble the set of items:

Through hole $\varnothing 7$ at a spacing of 12 mm in the vertical profiles and M8 threaded holes in the horizontal profiles.



Description	Slot	Version	Weight (g)	ESD	Art. no.:
Suspension bracket for protective fence N10	10	With fastening kit*	430.0		321410
Suspension bracket for protective fence N10 with loss protection	10	With fastening kit**	550.0		321420

Fastening kit: *	Fastening kit: **
4x suspension brackets, die-cast zinc, bare	4x suspension brackets, die-cast zinc, bare
4x flanged nuts M8, steel, zinc-plated	4x flanged nuts M8, steel, zinc-plated
4x T-head bolts M8x20, steel, zinc-plated	4x T-head bolts M8x20, steel, zinc-plated
2x locking screws M8x16, steel, zinc-plated	2x locking screws M8x16, steel, zinc-plated
2x centring pins $\varnothing 8.5$, steel, zinc-plated	2x centring pins $\varnothing 8.5$, steel, zinc-plated
	2x loss protection, PA plastic
	2x captive disc

COVER CAP 30x30 WG 30/40; 30x30 WG 30/40 WITH HOLE

Material: PA plastic (black)



Dimensions	Slot	Version	Weight (g)	Art. no.:
30x30 WG 30/40 with hole	-	Black (with hole $\varnothing 8.5$)	3.4	401007
30x30 WG 30/40	-	Black	3.0	401008