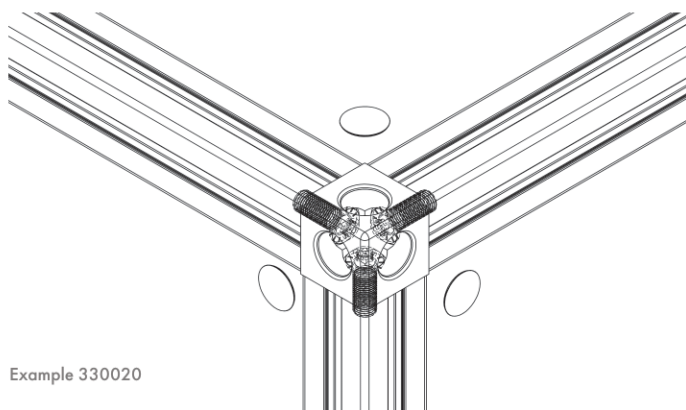


## CENTRAL SCREWS

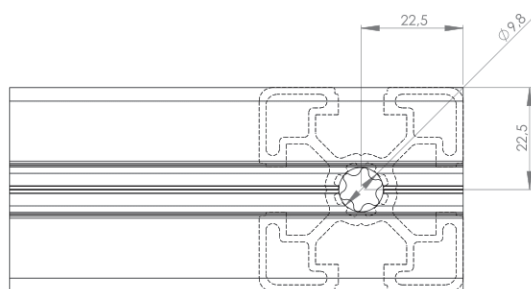
Material: Steel, zinc-plated

Central screws are suitable for connecting two items at a 90° angle.

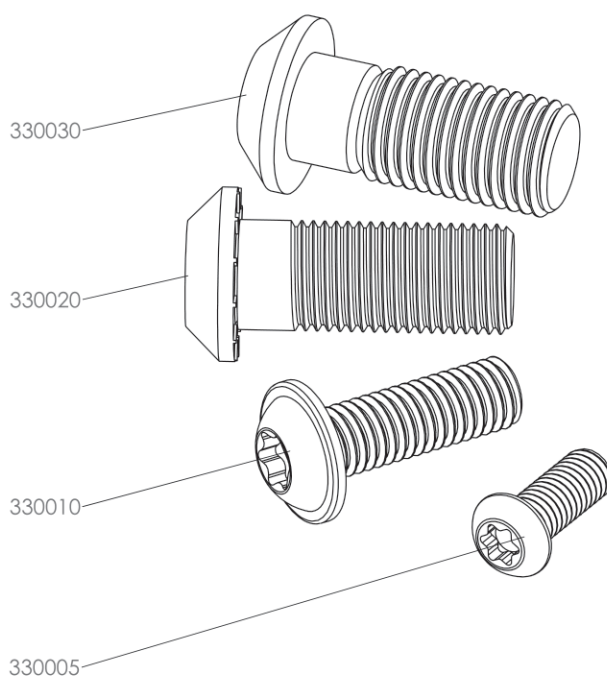
No thread processing is necessary for SF (self-tapping) central screws.







Example 330020



Example 330030



Description	Thread	Shaft	Assembly	Version	Weight (g)	ESD	Art. no.:
Central screw SF6X16 T25	6 x 16	Without shaft	Torx 25	Self-tapping	4.0		<b>330005</b>
Central screw SF8x25 T40	8 x 25	With shaft	Torx 40	Self-tapping	5.0		<b>330010</b>
Central screw SF12x30 T50	12 x 30	Without shaft	Torx 50	Self-tapping	23.0		<b>330020</b>
Central screw M12x30 T50	12 x 30	Without shaft	Torx 50	-	35.0		<b>330030</b>