

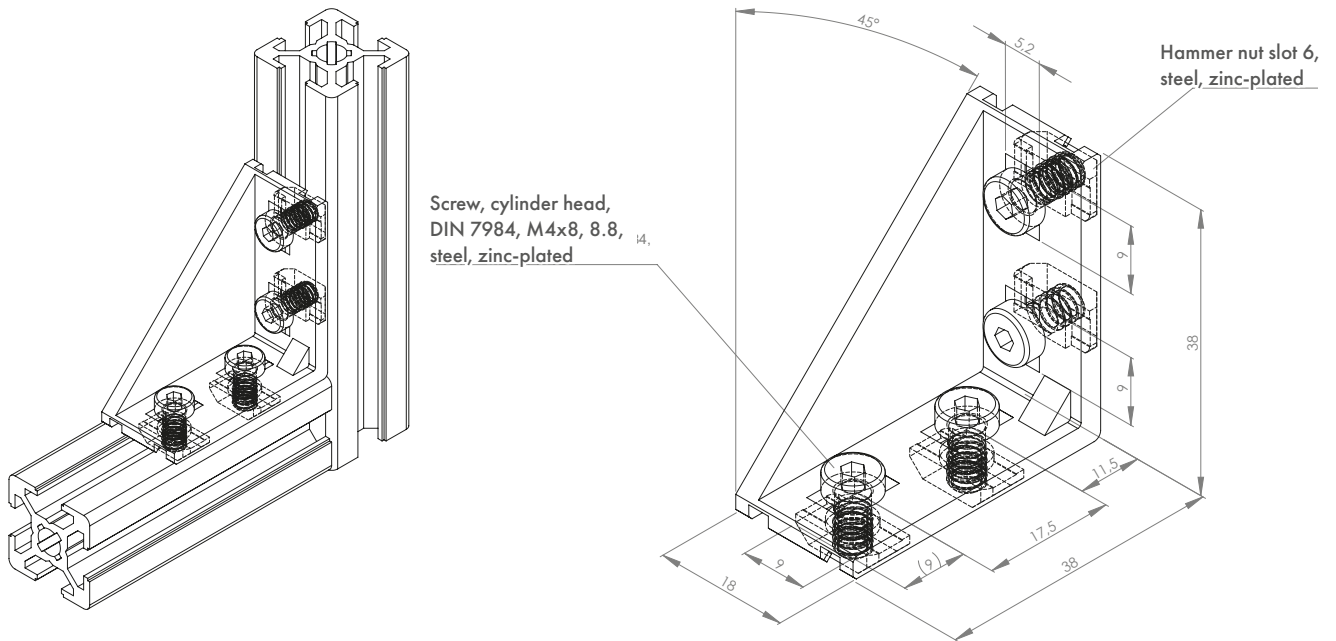




ANGLE BRACKET 20x40 SLOT 6

Angle bracket material: die-cast aluminium

For connecting two profiles at a 90° angle.

Mounting this item does not require any profile processing.



Description	Slot	Dimensions	Version	Weight (g)	ESD	Art. no.:
Angle bracket 20x40 slot 6	6	20x40	Without fastening kit	132.0		321025
Angle bracket 20x40 slot 6 with fastening kit *	6	20x40	With fastening kit *	141.0		321026

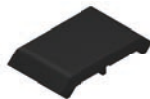
Fastening kit: *

4x screws, cylinder head, DIN 7984, M4x8, 8.8, steel, zinc-plated

4x hammer nuts slot 6 M4, steel, zinc-plated

COVER CAP - 20x40 - SLOT 6

Material: PA plastic



Dimensions	Slot	Version	Weight (g)	Art. no.:
20x40	6	Black	21	321134