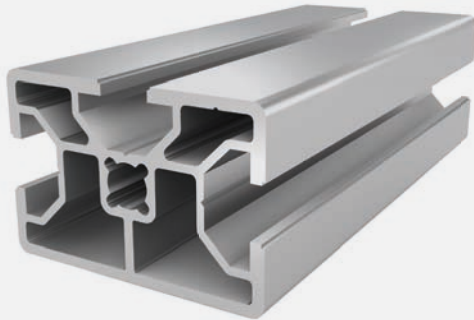




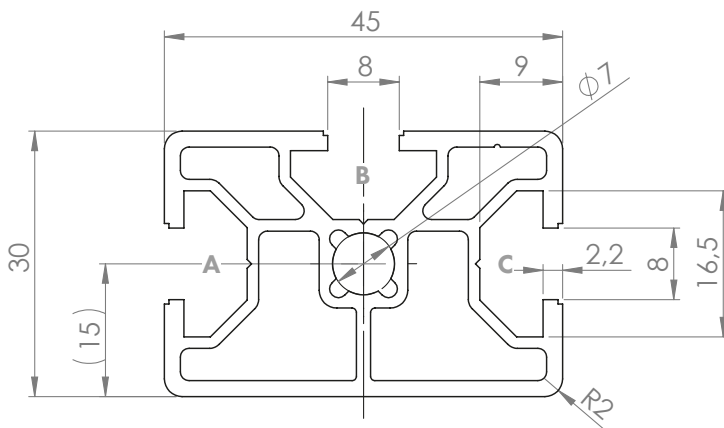
PROFILE 30x45 SLOT 8

Material: anodised aluminium



Technical data:

Surface A [cm ²]	3.90
Moment of inertia I _x [cm ⁴]	8.10
Moment of inertia I _y [cm ⁴]	3.90
Section modulus W _x [cm ³]	3.90
Section modulus W _y [cm ³]	2.50
Weight m [kg/m]	1.10



Standard processing:	Art. no.:
M8 / -	103200
M8 / M8	103205
D7.8 / -	102100
D7.8 / D7.8	102102
D7.8 / D7.8V	102110
D7.8+ / -	102115
D7.8+ / D7.8+	102117
D11 (SSV) / -	102370
D11 (SSV) / D11 (SSV)	102372
D11 (SSV) / D11V (SSV)	102374

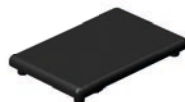
Explanations and further processing options can be found on p. 223-231

Dimensions (version)	Length (mm)	Slot	Weight (kg)	Art. no.:
30x45	Cut to length	8	1.1 kg/m	20101600
30x45	6060	8	1.1 kg/m	20101601

If this profile is cut to length, the cutting costs incurred per saw cut must be factored in. (Art. no.: 101010)

COVER CAP 30x45 SLOT 8

Material: PA plastic



Dimensions (version)	Slot	Weight (g)	Version	Art. no.:
30x45	8	4.9	Black	401012