



10

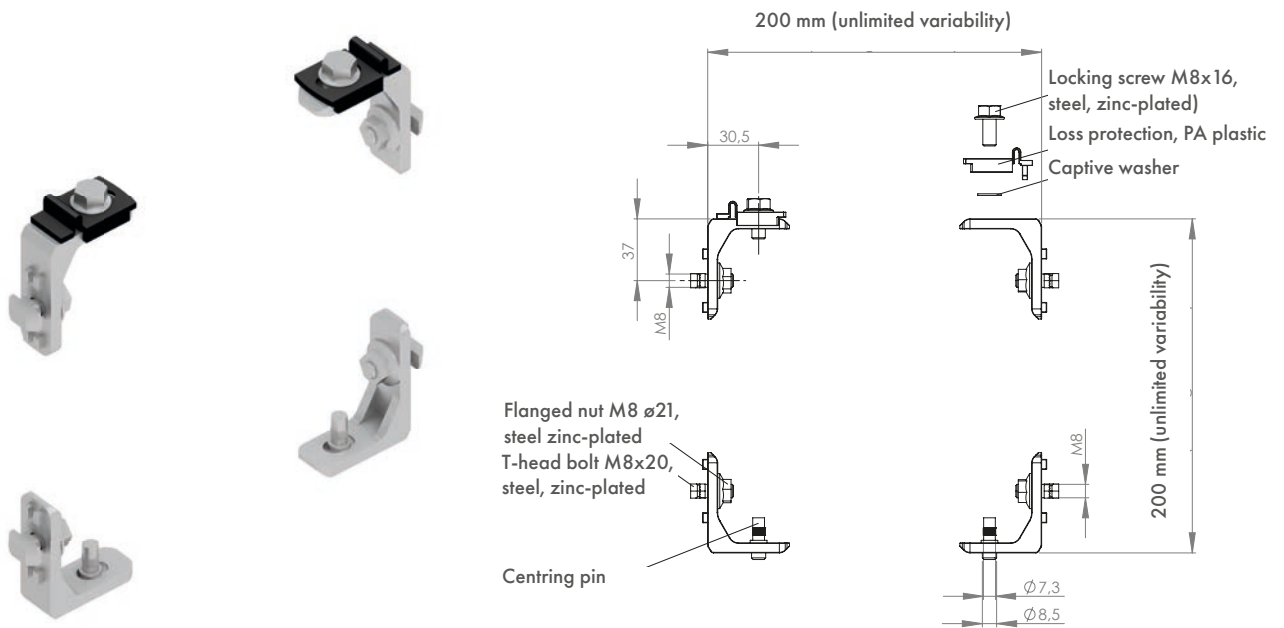
SUSPENSION BRACKET SET FOR PROTECTIVE FENCE (OPT. WITH LOSS PROTECTION)



Angle bracket material: die-cast zinc

For suspending protective fences (e.g. crimped mesh) as wall-mounted elements.

The following processing actions are required to assemble the set of items:

Through hole $\varnothing 7$ at a spacing of 12 mm in the vertical profiles and M8 threaded holes in the horizontal profiles.



| Description | Slot | Version | Weight (g) | ESD | Art. no.: |
|--|------|----------------------|------------|---|-----------|
| Suspension bracket for protective fence N10 | 10 | With fastening kit* | 430.0 |  | 321410 |
| Suspension bracket for protective fence N10 with loss protection | 10 | With fastening kit** | 550.0 |  | 321420 |

| Fastening kit: * | Fastening kit: ** |
|---|---|
| 4x suspension brackets, die-cast zinc, bare | 4x suspension brackets, die-cast zinc, bare |
| 4x flanged nuts M8, steel, zinc-plated | 4x flanged nuts M8, steel, zinc-plated |
| 4x T-head bolts M8x20, steel, zinc-plated | 4x T-head bolts M8x20, steel, zinc-plated |
| 2x locking screws M8x16, steel, zinc-plated | 2x locking screws M8x16, steel, zinc-plated |
| 2x centring pins $\varnothing 8.5$, steel, zinc-plated | 2x centring pins $\varnothing 8.5$, steel, zinc-plated |
| | 2x loss protection, PA plastic |
| | 2x captive disc |

COVER CAP 30x30 WG 30/40; 30x30 WG 30/40 WITH HOLE

Material: PA plastic (black)



| Dimensions | Slot | Version | Weight (g) | Art. no.: |
|--------------------------|------|--------------------------------------|------------|-----------|
| 30x30 WG 30/40 with hole | - | Black (with hole $\varnothing 8.5$) | 3.4 | 401007 |
| 30x30 WG 30/40 | - | Black | 3.0 | 401008 |