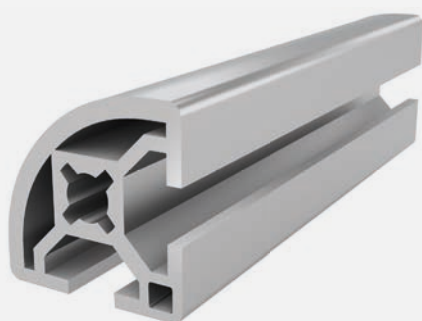




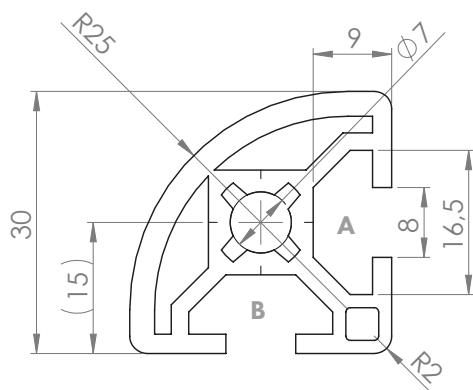
## PROFILE 30x30 R90° SLOT 8

Material: anodised aluminium



### Technical data:

Surface A [cm <sup>2</sup> ]	2.90
Moment of inertia I <sub>x</sub> [cm <sup>4</sup> ]	2.30
Moment of inertia I <sub>y</sub> [cm <sup>4</sup> ]	2.30
Section modulus W <sub>x</sub> [cm <sup>3</sup> ]	7.00
Section modulus W <sub>y</sub> [cm <sup>3</sup> ]	3.90
Weight m [kg/m]	0.80



Standard processing:	Art. no.:
M8 / -	103200
M8 / M8	103205
D11 / -	102400
D11 / D11	102405

Explanations and further processing options can be found on p. 223-231

Dimensions (version)	Length (mm)	Slot	Weight (kg)	Art. no.:
30x30 R90°	Cut to length	8	0.8 kg/m	20100900
30x30 R90°	6060	8	0.8 kg/m	20100901

If this profile is cut to length, the cutting costs incurred per saw cut must be factored in. (Art. no.: 101010)

## COVER CAP 30x30 R90° SLOT 8

Material: PA plastic



Dimensions (version)	Slot	Weight (g)	Version	Art. no.:
30x30 R90°	8	2.1	Black	401018