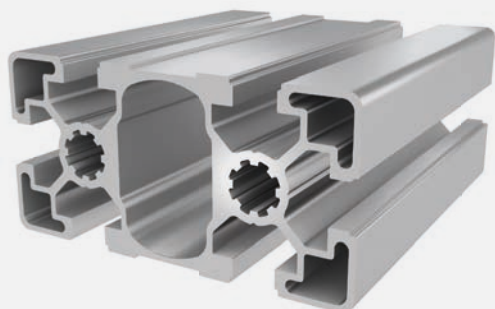




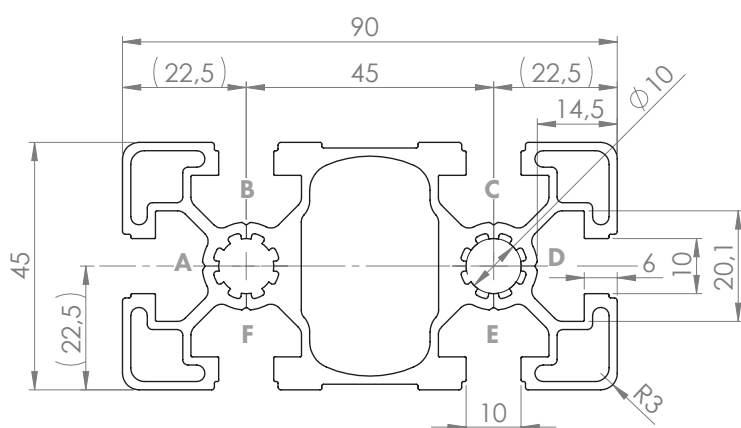
PROFILE 45x90L SLOT 10 (light)

Material: anodised aluminium



Technical data:

Surface A [cm ²]	11.20
Moment of inertia I _x [cm ⁴]	81.90
Moment of inertia I _y [cm ⁴]	23.60
Section modulus W _x [cm ³]	18.20
Section modulus W _y [cm ³]	10.50
Weight m [kg/m]	3.10



Standard processing:	Art. no.:
M 12= / -	103315
M 12= / M 12=	103320
D 9.8= / -	102340
D 9.8= / D 9.8=	102320
D 9.8= / D 9.8V	102330
D 9.8V / D 9.8V	102302
D 17= / -	102520
D 17= / D 17=	102525
D 17= / D 17V	102535
D 17V / -	102510
D 17V / D 17V	102540

Explanations and further processing options can be found on p. 223-231

Dimensions (version)	Length (mm)	Slot	Weight (kg)	Art. no.:
45x90L	Cut to length	10	3.1 kg/m	20106000
45x90L	3060	10	3.1 kg/m	20106003
45x90L	6060	10	3.1 kg/m	20106001

If this profile is cut to length, the cutting costs incurred per saw cut must be factored in. (Art. no.: 101020)

COVER CAP 45x90 SLOT 10

Material: PA plastic



Dimensions (version)	Slot	Weight (g)	Version	Art. no.:
45x90	10	16	Black	401060
45x90	10	16	Signal grey	401160