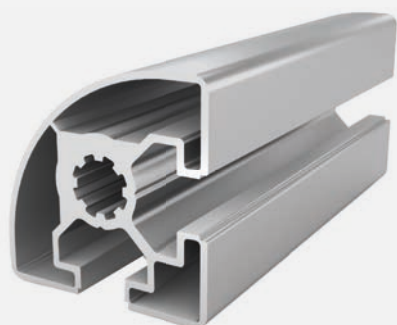




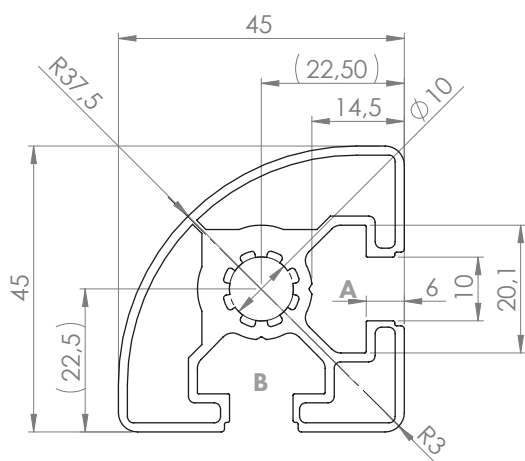
## PROFILE 45x45L R90° SLOT 10 (light)

Material: anodised aluminium



### Technical data:

Surface A [cm <sup>2</sup> ]	6.89
Moment of inertia I <sub>x</sub> [cm <sup>4</sup> ]	15.18
Moment of inertia I <sub>y</sub> [cm <sup>4</sup> ]	12.72
Section modulus W <sub>x</sub> [cm <sup>3</sup> ]	5.34
Section modulus W <sub>y</sub> [cm <sup>3</sup> ]	5.04
Weight m [kg/m]	1.86



Standard processing:	Art. no.:
M12 / -	103300
M12 / M12	103305
D17(SSV) / -	102380
D17(SSV) / D17(SSV)	102382

Explanations and further processing options can be found on p. 223-231

Dimensions (version)	Length (mm)	Slot	Weight (kg)	Art. no.:
45x45L R90°	Cut to length	10	1.27 kg/m	20102500
45x45L R90°	6060	10	1.27 kg/m	20102501

If this profile is cut to length, the cutting costs incurred per saw cut must be factored in. (Art. no.: 101020)

## COVER CAP 45x45 R SLOT 10

Material: PA plastic



Dimensions (version)	Slot	Weight (g)	Version	Art. no.:
45x45 R	10	8	Black	401025