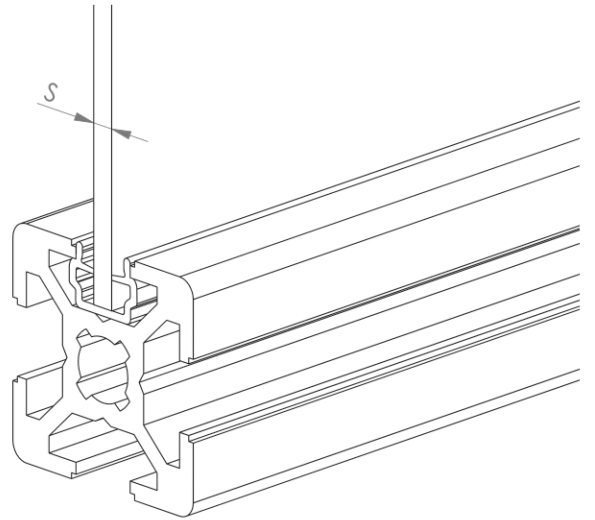
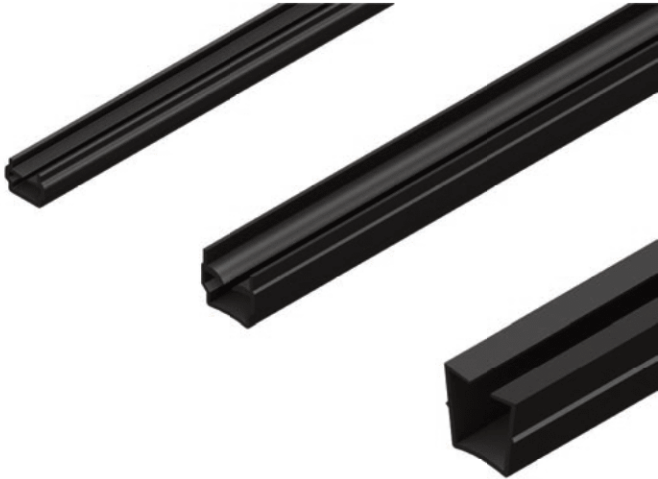





EDGING PROFILES

- Suitable for enclosing panel elements



Slot (mm)	Description	Panel thickness (S) (mm)	Version	Overall length (L) (mm/piece)	Material	Colour	Weight (g/piece)	Art. no.:
 SLOT 6	Edging profile slot 6 black, S=1-4 mm, L=2000 mm	1 - 4	(B)	2000	PP+TPE	Black	26.0	411029
 SLOT 8	Edging profile slot 8 black, S=2-6 mm, L=2000 mm	2 - 6	(B)	2000	PP + TPE	Black	50.0	411030
 SLOT 10	Edging profile slot 10 black, S=4-6 mm, L=2000 mm	4 - 6	(B)	2000	PP + TPE	Black	34.0	411040