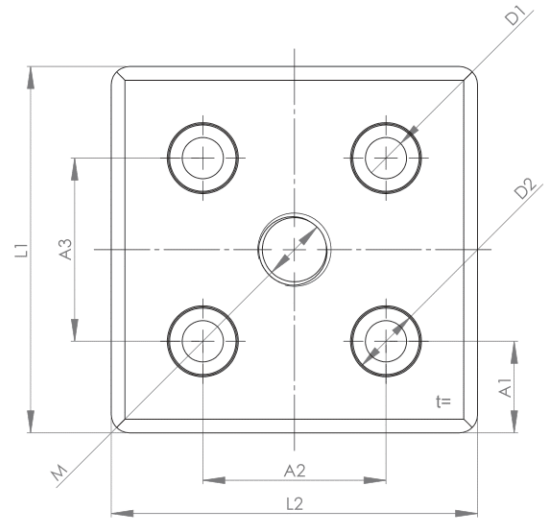
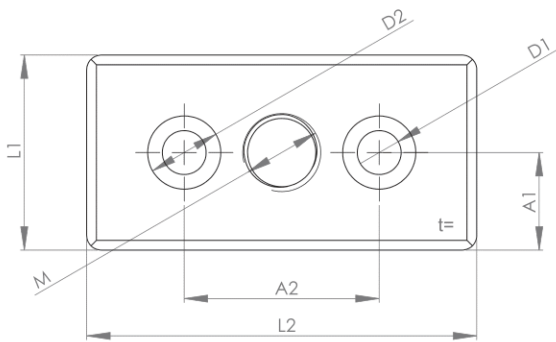


BASE PLATES (WITH THREAD FOR FEET)



| | Description (z.-p. = zinc-plated) | L1 (mm) | L2 (mm) | M (mm) | A1 (mm) | A2 (mm) | A3 (mm) | D1 (mm) | D2 (mm) | t (mm) | Material | Series | Art. no.: |
|-----------|---|------------|------------|-----------|------------|------------|------------|------------|------------|-----------|-------------|--------|-----------|
| ●●● N6 | Transport and base plate 6 zinc 30x60 M8 | 30 | 60 | M8 | 15 | 30 | - | 7 | 11 | 12 | Zinc, black | (i) | 503223 |
| | Transport and base plate 6 zinc 30x60 M10 | 30 | 60 | M10 | 15 | 30 | - | 9 | 11 | 12 | Zinc, black | (i) | 503225 |
| | Transport and base plate zinc 30x60, slot 8 M12, z.-p. | 30 | 60 | M12 | 15 | 30 | - | 9 | 15 | 12 | Zinc | (B) | 503025 |
| N8 | Transport and base plate 8 zinc 40x80 M10 | 40 | 80 | M10 | 20 | 40 | - | 9 | 15 | 16 | Zinc, black | (i) | 503227 |
| | Transport and base plate 8 zinc 40x80 M12 | 40 | 80 | M12 | 20 | 40 | - | 9 | 15 | 16 | Zinc, black | (i) | 503229 |
| | Transport and base plate 8 zinc 40x80 M16 | 40 | 80 | M16 | 20 | 40 | - | 9 | 15 | 16 | Zinc, black | (i) | 503231 |
| N10 | Transport and base plate zinc 40x80, slot 10 M12, z.-p. | 40 | 80 | M12 | 20 | 40 | - | 14.5 | 20.5 | 16 | Zinc | (B) | 503027 |
| | Transport and base plate zinc 40x80, slot 10 M16, z.-p. | 40 | 80 | M16 | 20 | 40 | - | 14.5 | 20.5 | 16 | Zinc | (B) | 503028 |
| | Transport and base plate zinc 45x90, slot 10 M12, z.-p. | 45 | 90 | M12 | 22.5 | 45 | - | 14.5 | 20.5 | 16 | Zinc | (B) | 503030 |
| | Transport and base plate zinc 45x90, slot 10 M16, z.-p. | 45 | 90 | M16 | 22.5 | 45 | - | 14.5 | 20.5 | 16 | Zinc | (B) | 503033 |

| | Description (z.-p. = zinc-plated) | L1 (mm) | L2 (mm) | M (mm) | A1 (mm) | A2 (mm) | A3 (mm) | D1 (mm) | D2 (mm) | t (mm) | Material | Series | Art. no.: |
|-----------|---|------------|------------|-----------|------------|------------|------------|------------|------------|-----------|-------------|--------|-----------|
| ●●● N6 | Transport and base plate 6 zinc 60x60 M10 | 60 | 60 | M10 | 15 | 30 | 30 | 7 | 11 | 12 | Zinc, black | (i) | 503226 |
| N8 | Transport and base plate 8 zinc 80x80 M10 | 80 | 80 | M10 | 20 | 40 | 40 | 9 | 15 | 16 | Zinc, black | (i) | 503238 |
| | Transport and base plate 8 zinc 80x80 M12 | 80 | 80 | M12 | 20 | 40 | 40 | 9 | 15 | 16 | Zinc, black | (i) | 503241 |
| | Transport and base plate 8 zinc 80x80 M16 | 80 | 80 | M16 | 20 | 40 | 40 | 9 | 15 | 16 | Zinc, black | (i) | 503251 |
| N10 | Transport and base plate zinc 80x80, slot 10 M12, z.-p. | 80 | 80 | M12 | 20 | 40 | 40 | 14.5 | 20 | 16 | Zinc | (B) | 503060 |
| | Transport and base plate zinc 80x80, slot 10 M16, z.-p. | 80 | 80 | M16 | 20 | 40 | 40 | 14.5 | 20 | 16 | Zinc | (B) | 503065 |
| | Transport and base plate zinc 90x90, slot 10 M12, z.-p. | 90 | 90 | M12 | 22.5 | 45 | 45 | 14.5 | 20 | 16 | Zinc | (B) | 503035 |
| | Transport and base plate zinc 90x90, slot 10 M16, z.-p. | 90 | 90 | M16 | 22.5 | 45 | 45 | 14.5 | 20 | 16 | Zinc | (B) | 503040 |