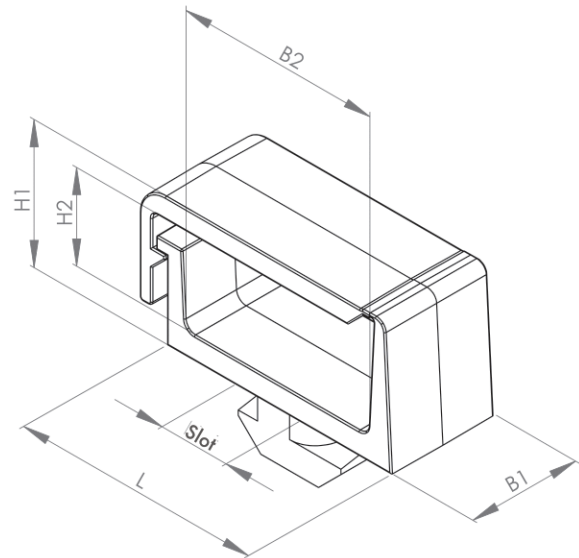
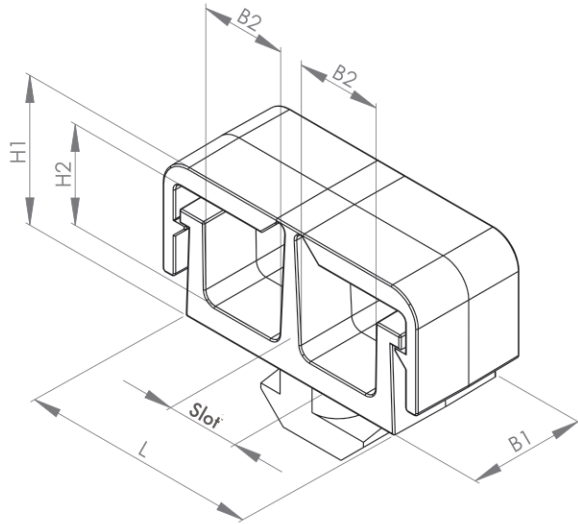


CABLE CARRIERS WITH AND WITHOUT SEPARATORS

Material: PA plastic (black / grey), glass fibre reinforced (GRP)

- For quick and easy attachment of cables and hoses
- No profile processing required
- No cable ties required

- Items with separators contain rubber elements that provide additional support or alternatively act as a seal if the cables/hoses require more room than is available inside the cable carrier (B2).



Description	Slot	L1 (mm)	L2 (mm)	B1 (mm)	B2 (mm)	H1 (mm)	H2 (mm)	Weight (g)	Series	Art. no.:
Cable carrier PA 8 with separator	8	32,5	40	16	11.6	20	13.5	8.0	(i)	412017
Cable carrier PA 8 without separator	8	35,1	39,5	16	28.5	20	13.5	6.4	(i)	412019
Cable carrier PA slot 8 with separator	8	32,6	40	16	11.6	20	13.5	6.9	(B)	412030
Cable carrier PA slot 10 with separator	10	32,6	40	16	11.6	20	13.5	8.2	(B)	412040
Cable carrier PA slot 10 without separator	10	35,1	39,5	16	28.5	20	13.5	7.0	(B)	412045