



## MULTIBLOCKS

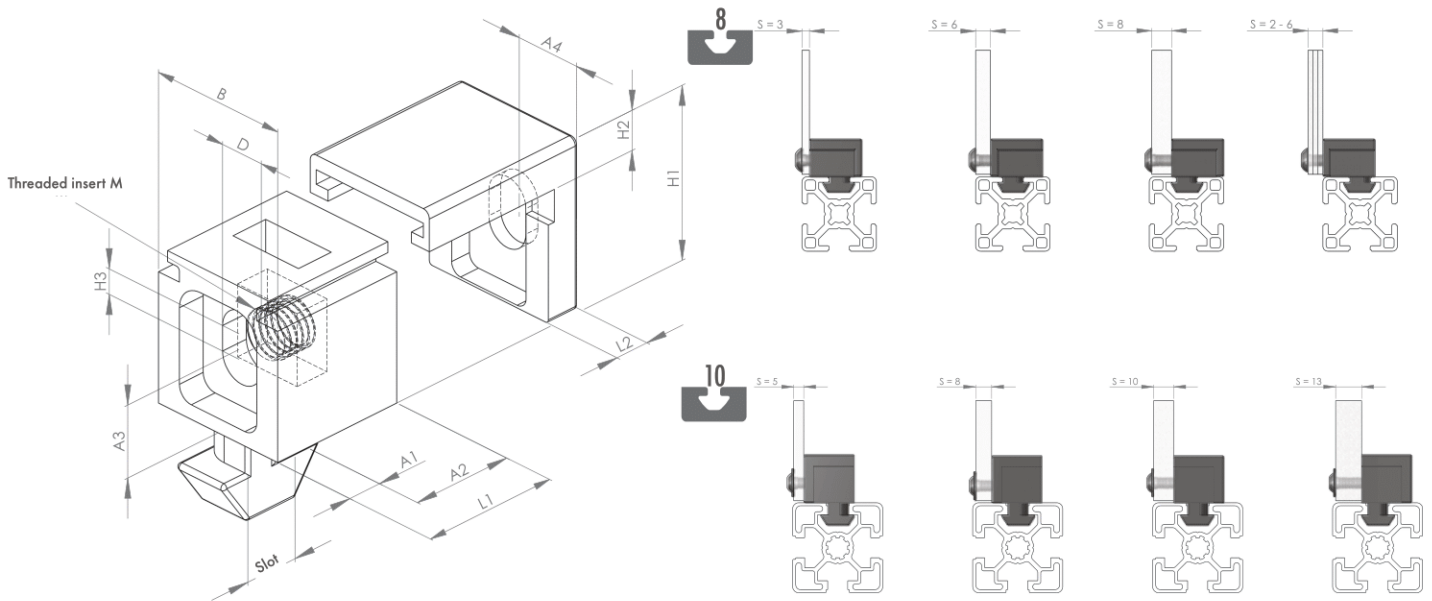
For fastening panel elements of all kinds

Varied range of applications

For a wide selection of panel thicknesses

The panel thicknesses (S) stated in the drawings are our recommendations for ensuring near-flush installation of panels on profiles.

For information on selecting the spacing of the individual blocks, see P. 469



Description	Slot (mm)	D (mm)	A1 (mm)	A2 (mm)	A3 (mm)	A4 (mm)	B (mm)	H1 (mm)	H2 (mm)	H3 (mm)	L1 (mm)	L2 (mm)	Vers.	Weight (g)	Series	Art. no.:
Multiblock slot 8 M5 2 parts	8	6	6	12	6.75	7.5	15	15.25	4.5	3	18	3	-	5.5	(B)	411069
Multiblock slot 10 M6 2 pieces	10	7	8	12	10	10	20	24	5.5	3	20	5	-	14.5	(B)	411070
Multiblock slot 10 M6 with captive screw	10	7	8	12	10	10	20	24	5.5	3	20	5	Fas-tening kit*	19.1	(B)	411080

### Fastening kit:\*

With captive screw and O-ring for standard-compliant fastening of panel elements