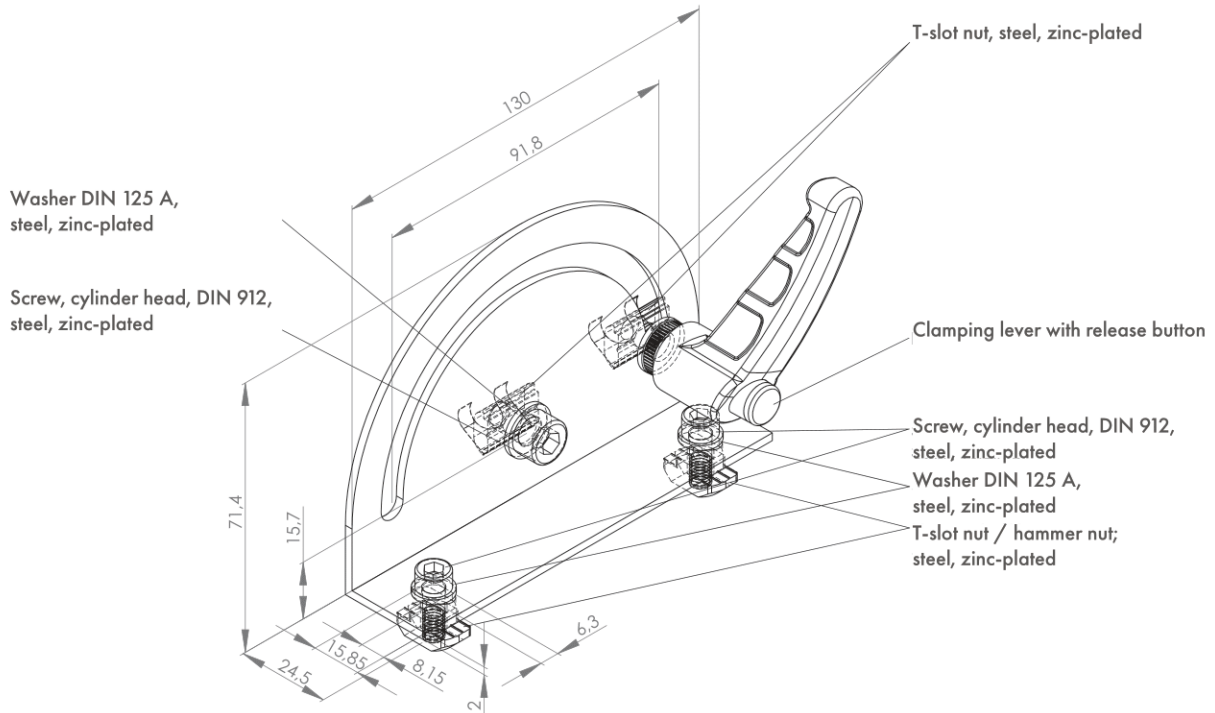


## SWIVEL MOUNTS



Description	Slot	Version	Weight (g)	Series	Art. no.:
Swivel mount set slot 8-8	8/8	With fastening kit***	385.2	(i)	415030
Swivel mount set slot 8-10	8/10	With fastening kit*	316.2	(B)	415010
Swivel mount set slot 10-10	10/10	With fastening kit**	323.2	(B)	415020

Fastening kit*:	Fastening kit**:	Fastening kit***:
1x clamping lever M8x12 with release button A=65, PA plastic (black)	1x clamping lever M8x16 with release button A=65, PA plastic (black)	1x clamping lever M8x16 with release button, PA plastic (black)
1x laser sheet (for swivel mount), zinc-plated	1x laser sheet (for swivel mount), zinc-plated	1x laser sheet (for swivel mount), zinc-plated
1x screw, cylinder head, DIN 912, M8x12, 8.8, steel, zinc-plated	1x screw, cylinder head, DIN 912, M8x16, 8.8, steel, zinc-plated	1x screw, cylinder head, DIN 912, M8x16, 8.8, steel, zinc-plated
2x swivelling T-slot nuts slot 8 M8 with spring sheet, steel, zinc-plated	2x swivelling T-slot nuts slot 10 M8 with spring sheet, steel, zinc-plated	2x screws, cylinder head, DIN 912, M6x12, 8.8, steel, zinc-plated
2x screws, cylinder head, DIN 912, M6x16, 8.8, steel, zinc-plated	2x screws, cylinder head, DIN 912, M6x16, 8.8, steel, zinc-plated	2x swivelling T-slot nuts 8 M6 with ball and bar, steel, zinc-plated
2x hammer nuts slot 10 M6, steel, zinc-plated	2x hammer nuts slot 10 M6, steel, zinc-plated	2x swivelling T-slot nuts 8 M8 with ball and bar, steel, zinc-plated
2x screws, cylinder head, DIN 912, M6x12, 8.8, steel, zinc-plated	2x screws, cylinder head, DIN 912, M6x12, 8.8, steel, zinc-plated	2x washers DIN 125 A Ø6.4, steel, zinc-plated
2x hammer nuts slot 8 M6, steel, zinc-plated	2x hammer nuts slot 8 M6, steel, zinc-plated	2x washers DIN 125 A Ø8.4, steel, zinc-plated
2x washers DIN 125 A Ø6.4, steel, zinc-plated	2x washers DIN 125 A Ø6.4, steel, zinc-plated	
2x washers DIN 125 A Ø8.4, steel, zinc-plated	2x washers DIN 125 A Ø8.4, steel, zinc-plated	