

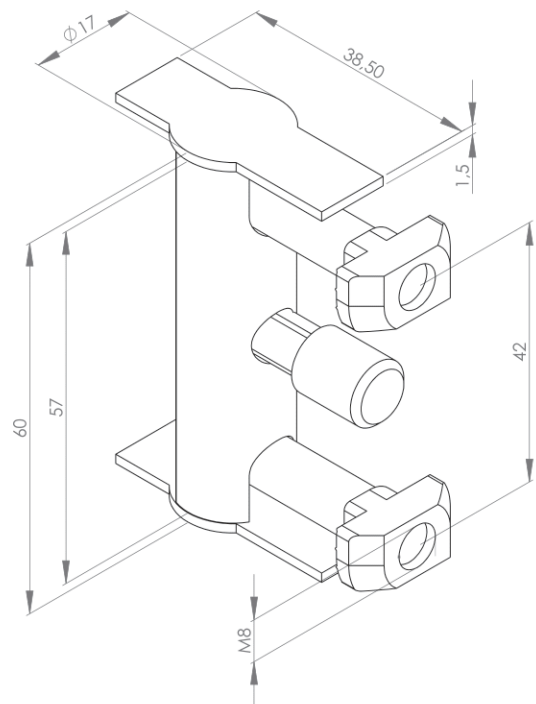
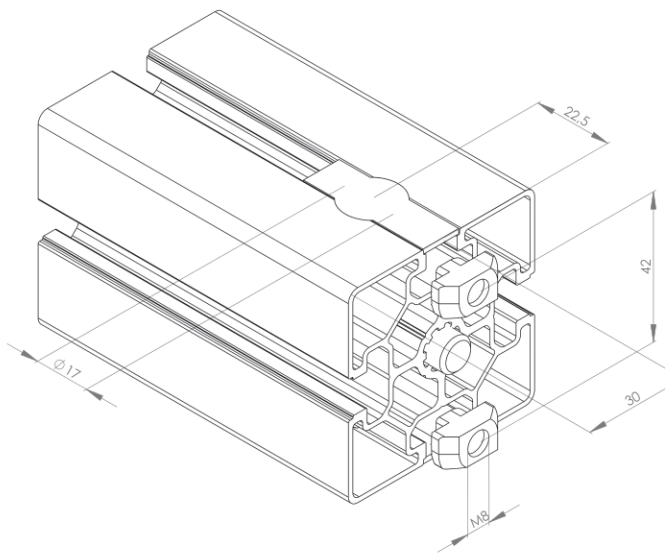
10


BOLT CONNECTOR SET Ø17x60

The item is delivered in its constituent parts

For connecting two aluminium profiles at a 90° angle.

A Ø17 through hole in the middle of the profile (30 mm) at a spacing of 22.5 mm is required to mount this item.



Description	Length (mm)	Slot	Thread (M)	Cap	Version	Weight (g)	ESD	Art. no.:
Bolt connector set Ø17x60	57	10	M8	Black	With fastening kit*	94.3		322031

Fastening kit:*

1x bolt connector Ø17x60, steel, zinc-plated

2x screws, pan head, ISO 7380, M8x35, 10.9 zinc-plated

1x fixing bolt, PA (black), for BC 10 Ø17 (6.2x6.2x30)

2x cover caps, PA (black), for BC Ø17

2x hammer nuts slot 10 M8, steel, zinc-plated