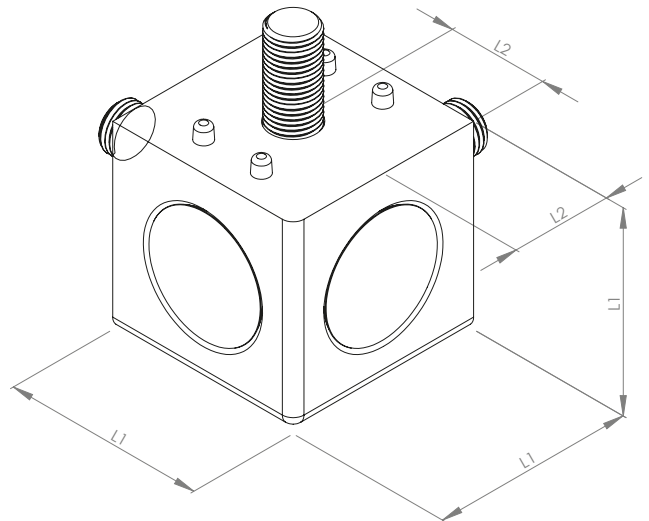
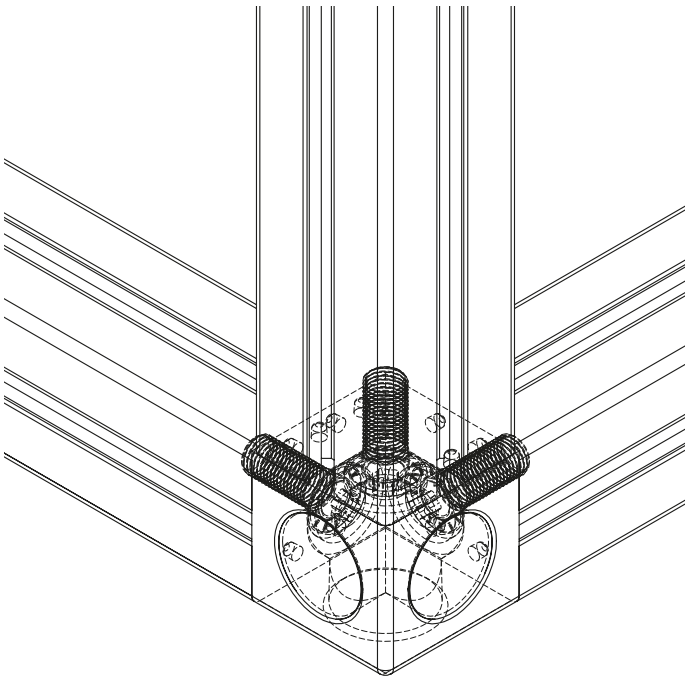







CUBE CONNECTOR SET 3D

Cube connector material: die-cast aluminium

For connecting three profiles at 90° angles for assembling robust corner connections. No profile processing is necessary for mounting the items thanks to the self-tapping screws (SF).



Description	L1 (mm)	L2 (mm)	Version	Weight (g)	ESD	Art. no.:
Cube connector set 20-3	20	10	With fastening kit*	12.0		334006
Cube connector set 30-3	30	15	With fastening kit**	72.0		334020
Cube connector set 40-3	40	20	With fastening kit***	157.0		334025
Cube connector set 45-3	45	22.5	With fastening kit***	250.0		334040
Cube connector set 50-3	50	25	With fastening kit****	257.0		334050

Fastening kit: *	Fastening kit: **	Fastening kit: ***	Fastening kit: ****
3x countersunk screws, SF6x16, steel zinc-plated	3x countersunk screws, SF8x25, steel zinc-plated	3x central screws, SF12x30 T50, steel zinc-plated	3x central screws, SF12x30 T50, steel zinc-plated
3x cover caps, D13, black PA	3x cover caps, D18, black PA	3x cover caps, D24, black PA	3x cover caps, D30, black PA