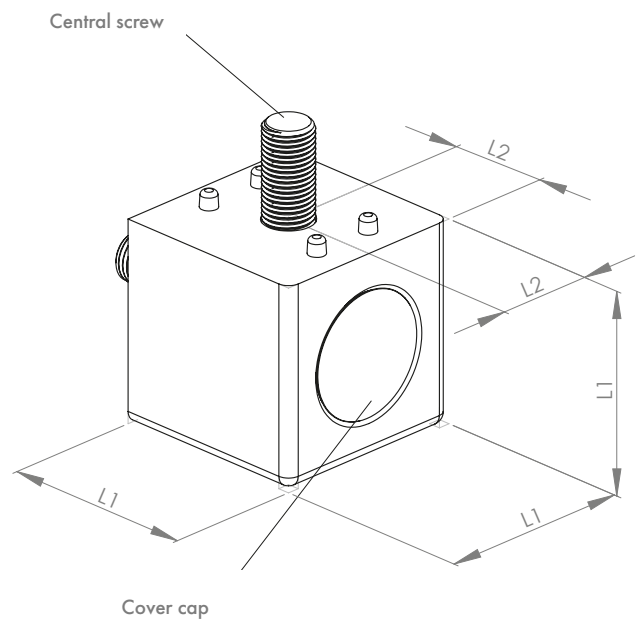
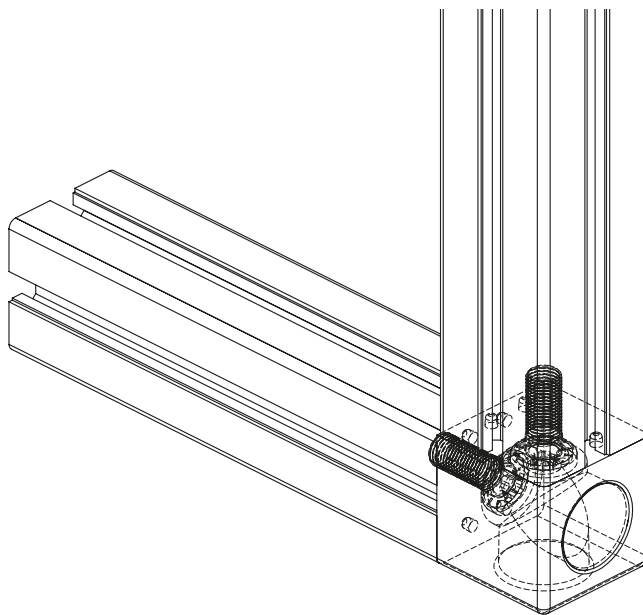







CUBE CONNECTOR SET 2D

Cube connector material: die-cast aluminium

For connecting two profiles at a 90° angle. No profile processing is necessary for mounting the items thanks to the self-tapping screws (SF).



Description	L1 (mm)	L2 (mm)	Version	Weight (g)	ESD	Art. no.:
Cube connector set 20-2	20	10	With fastening kit*	12.0		334005
Cube connector set 30-2	30	15	With fastening kit**	69.0		334010
Cube connector set 40-2	40	20	With fastening kit***	152.0		334024
Cube connector set 45-2	45	22.5	With fastening kit***	228.0		334030
Cube connector set 50-2	50	25	With fastening kit****	260.0		334045

Fastening kit: *	Fastening kit: **	Fastening kit: ***	Fastening kit: ****
2x countersunk screws, DIN 7500-SF6x16, St zinc-plated	2x countersunk screws, DIN 7500-SF8x25, St zinc-plated	2x central screws SF12x30 T50, steel zinc-plated	2x central screws SF12x30 T50, St zinc-plated
2x cover caps, D13, black PA	2x cover caps, D18, black PA	2x cover caps, D24, black PA	2x cover caps, D30, black PA