



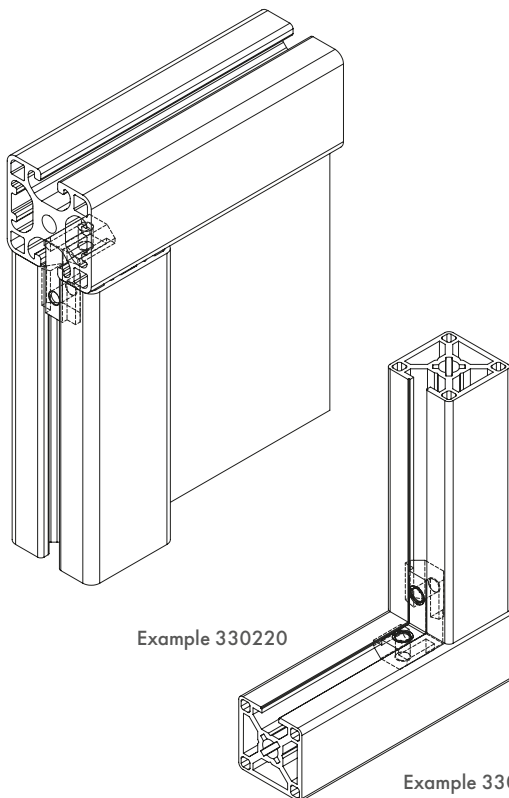
INSIDE BRACKET SLOT 8 | SLOT 8 R

Angle bracket: die-cast zinc; grub screw: steel, zinc-plated

For connecting two profiles at a 90° angle

The angle bracket is inserted into the slots of the two profiles and tightened using the grub screw.

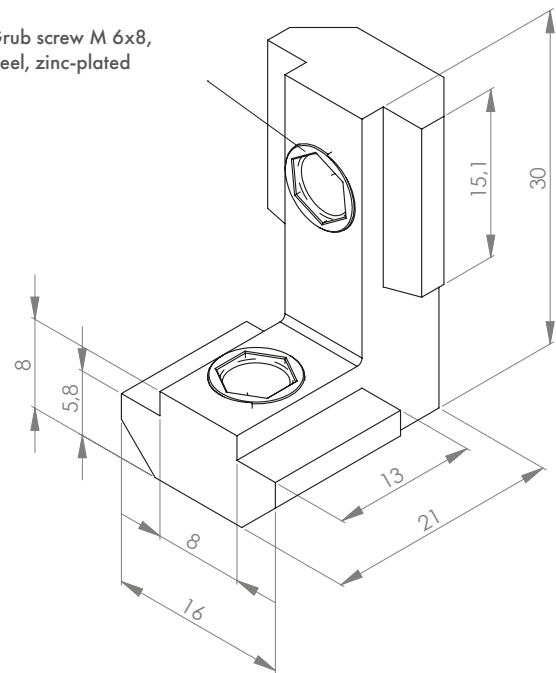
Mounting this item does not require any profile processing.






Example 330220

Example 330230

Grub screw M 6x8,
steel, zinc-plated



Description	Slot	Fastening	Version	Weight (g)	ESD 	Art. no.:
Inside bracket slot 8 R	8	Inside	With grub screw	28.2		330230
Inside bracket slot 8	8	Outside	With grub screw	23.4		330220