



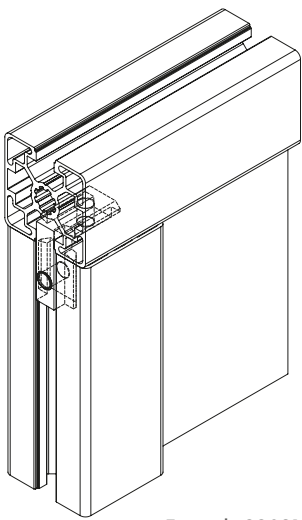
INSIDE BRACKET SLOT 10 | SLOT 10 R

Angle bracket material: die-cast zinc; grub screw: steel, zinc-plated

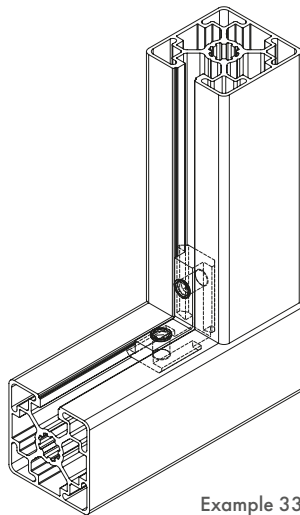
For connecting two profiles at a 90° angle.

The angle bracket is inserted into the slots of the two profiles and tightened using the grub screw.

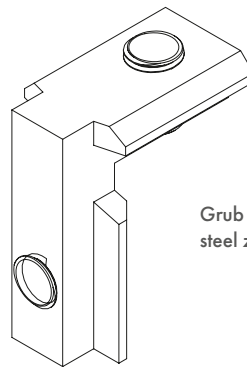
Mounting this item does not require any profile processing.



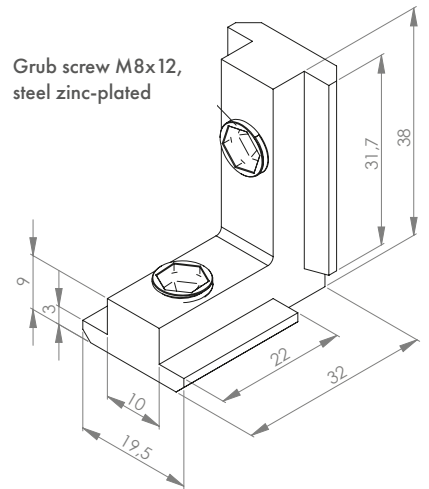
Example 330210





Example 330200



Grub screw M8x12,
steel zinc-plated



Description	Slot	Dimensions	Version	Weight (g)	ESD	Art. no.:
Inside bracket slot 10 R	10	Inside	With grub screw	53.0		330200
Inside bracket slot 10	10	Outside	With grub screw	49.0		330210