

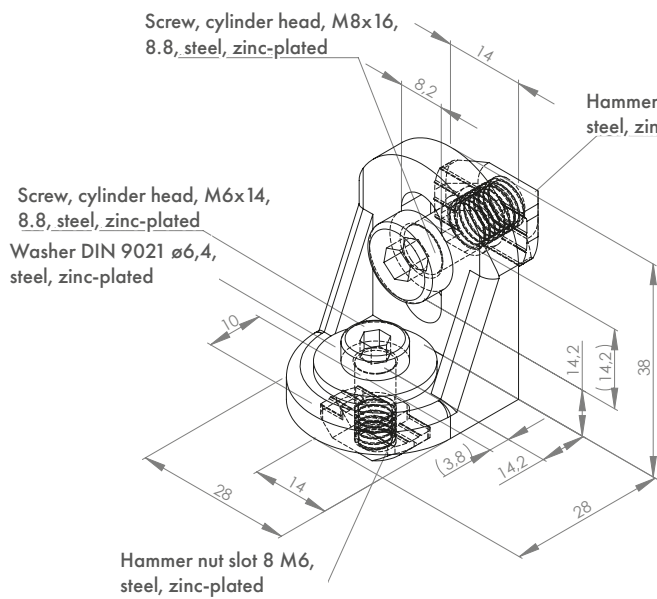


R-BRACKET WITH FASTENING KIT

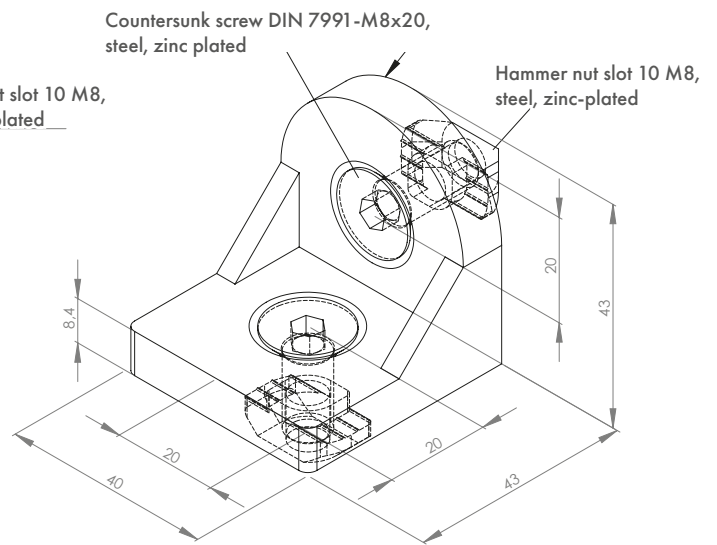
Angle bracket material: die-cast aluminium

For connecting two profiles at any angle.



Mounting this item does not require any profile processing.



321200



321210

Description	Slot	Dimensions	Version	Weight (g)	ESD	Art. no.:
R-bracket 28x28x38 with fastening kit	8-10	28x28x38	With fastening kit*	47.4		321200
R-bracket 40x43x43 with fastening kit	10	40x43x43	With fastening kit**	76.0		321210

Fastening kit: *

- 1x screw, cylinder head, DIN 7984, M8x16, 8.8, steel, zinc-plated
- 1x screw, cylinder head, DIN 7984, M6x14, 8.8, steel, zinc-plated
- 1x hammer nut slot 10 M8, steel, zinc-plated
- 1x hammer nut slot 8 M6, steel, zinc-plated
- 1x washer DIN 9021 $\varnothing 6,4$, steel, zinc-plated

Fastening kit: **

- 2x pan head screws DIN 7991-M8x20, steel, zinc-plated
- 2x hammer nuts slot 10 M8, steel, zinc-plated