



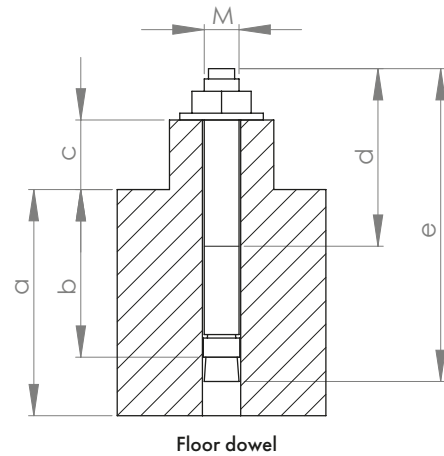
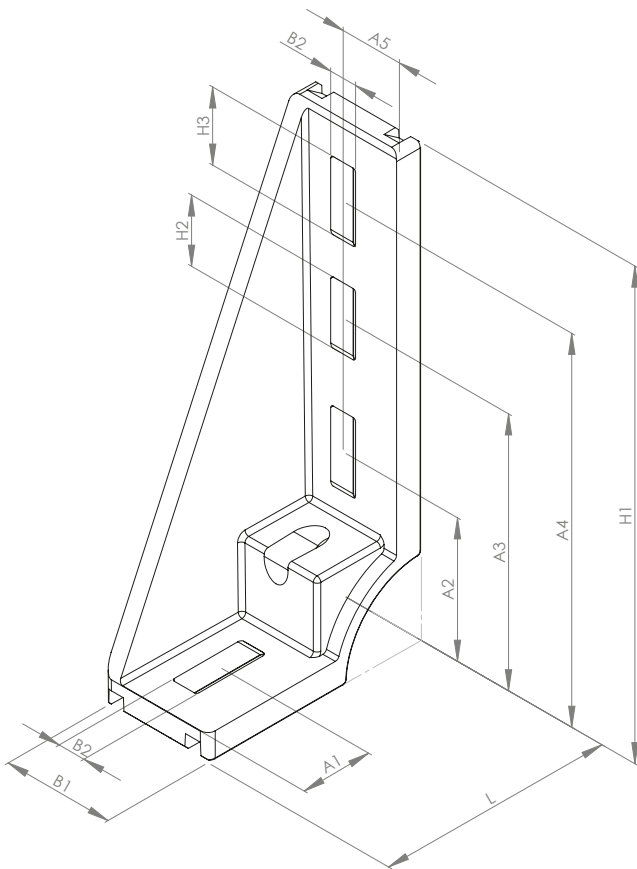
LEFT FOUNDATION ANGLE, DIE-CAST ALUMINIUM



Material:

Die-cast aluminium foundation angle: bare

Floor dowel: steel, zinc-plated



Floor dowel

Description	L (mm)	B1 (mm)	B2 (mm)	B3 (mm)	A1 (mm)	A2 (mm)	A3 (mm)	A4 (mm)	A5 (mm)	H1 (mm)	H2 (mm)	H3 (mm)	Material	Weight (g)	ESD	Series	Art. no.:
Foundation angle left 30x120	57	28	8.5	8.5	22	40	70	100	14	117	20	20	Die-cast aluminium	87.0		(B)	504025
Foundation angle left 43x175	86	41	10	10	26	60	107	147.5	21.5	175	25	27	Die-cast aluminium	266.0		(B)	504030

Accessories	M (mm)	Hole depth a (mm)	Effective anchoring depth b (mm)	Fastening height c (mm)	Thread length d (mm)	Total height e (mm)	Weight (g)	ESD	Series	Art. no.
Floor dowel Ø8 M8	M8	55 - 65	35 - 44	15 - 24	45	80	-		(i) (B)	504090
Floor dowel Ø10 M10	M10	65 - 70	42 - 48	15 - 21	45	90	-		(i) (B)	504095