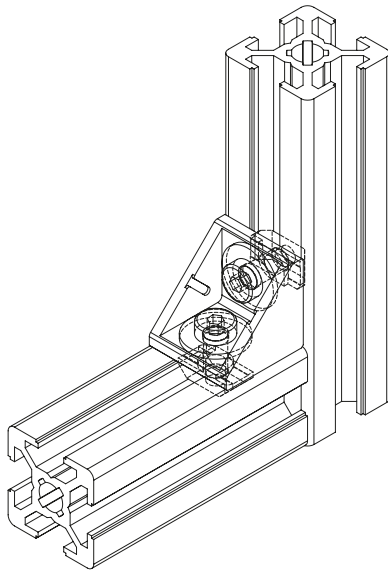


ANGLE BRACKET 20x20 SLOT 6

Material: angle bracket in die-cast aluminium

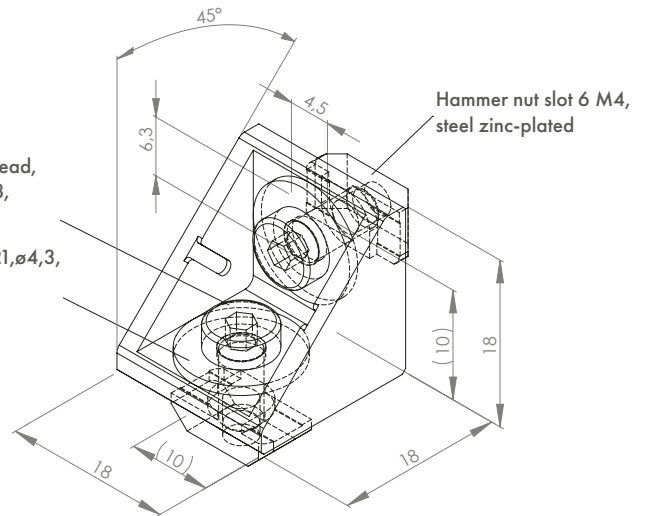
For connecting two profiles at a 90° angle.



Mounting this item does not require any profile processing.



Screw, cylinder head,
DIN 7984 M 4x8,
steel, zinc-plated

Washer DIN 9021, Ø4,3,
steel zinc-plated



Description	Slot	Dimensions	Version	Weight (g)	ESD	Art. no.:
Angle bracket 20x20 slot 6	6	20x20	Without fastening kit	10.0		321010
Angle bracket 20x20 slot 6 with fastening kit *	6	20x20	With fastening kit	13.1		321020

Fastening kit: *

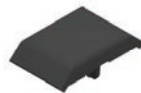
2x screws, cylinder head, DIN 7984, M4x8, 8.8, steel, zinc-plated

2x hammer nuts slot 6 M4, steel, zinc-plated

2x washers DIN 9021 Ø4.3, steel, zinc-plated

COVER CAP 20x20 - SLOT 6

Material: PA plastic



Dimensions	Slot	Version	Weight (g)	Art. no.:
20x20	6	Black	2.1	321131