



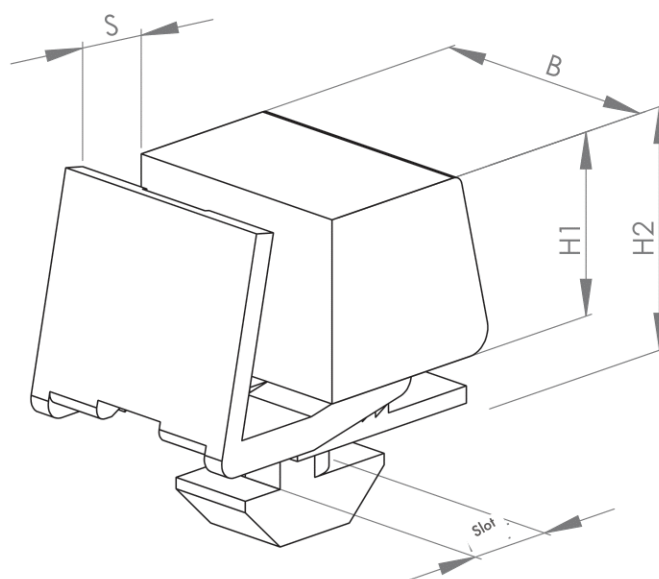
CLAMPING BLOCK

Material: PA plastic (black), glass fibre reinforced (GRP)

For fastening panel elements of all kinds

For a wide selection of panel thicknesses

Fixed spacing between profile and panel element



Description	Slot (mm)	B (mm)	H1 (mm)	H2 (mm)	S (mm)	Weight (g)	Series	Art. no.:
Clamping block 8	8	22	16	21	1 - 9	7.8	(i)	411015
Clamping block slot 8	8	22	16	21	1 - 9	7.2	(B)	411010
Clamping block slot 10	10	22	16	21	1 - 9	8.5	(B)	411020